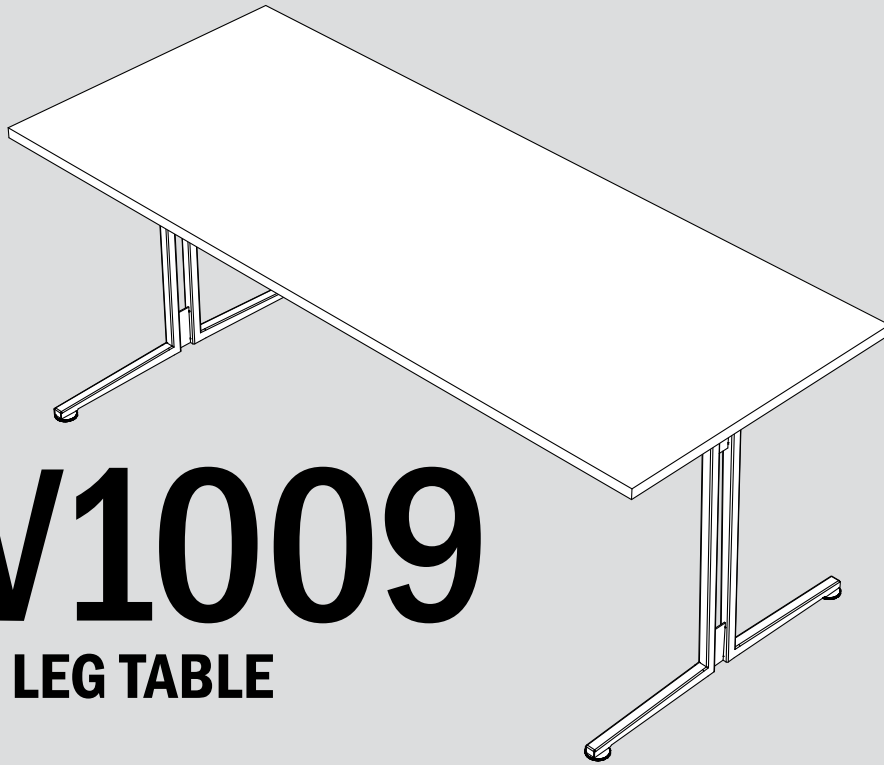


OV1009 | Part No. 65291



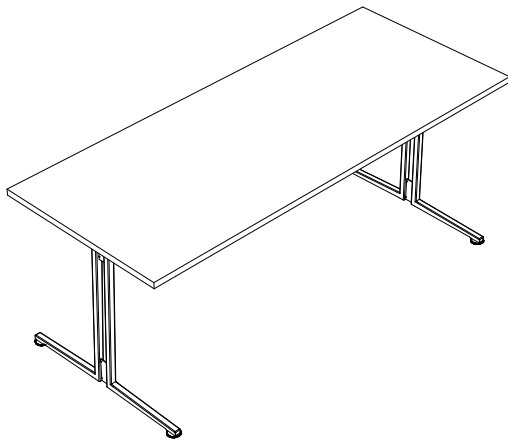
# OV1009

**FIXED LEG TABLE**

**USER GUIDE**

# OV1009

## FIXED LEG TABLE



The OV1009 table maintains a clean simplicity of form with twin extended vertical lines arching into two opposing parallel planes, creating an attractive art-deco aesthetic.

In addition to contributing an element of sophistication to any application, this table is also well-engineered and tested for strength and longevity.

### FEATURES

- BIFMA tested and approved
- Ten-year warranty
- Easy assembly
- Multiple color options

## TABLE OF CONTENTS

<b>Parts Diagram</b>	4
30" T-Leg	4
<b>Safety Information</b>	5
<b>Assembly Instructions</b>	6-7

## CUSTOMER SERVICE

If you have any problems with your table base, please contact our service department.

**PHONE: 1-616-738-6688**

**FAX: 1-616-738-6682**

## STANDARDS & CERTIFICATIONS

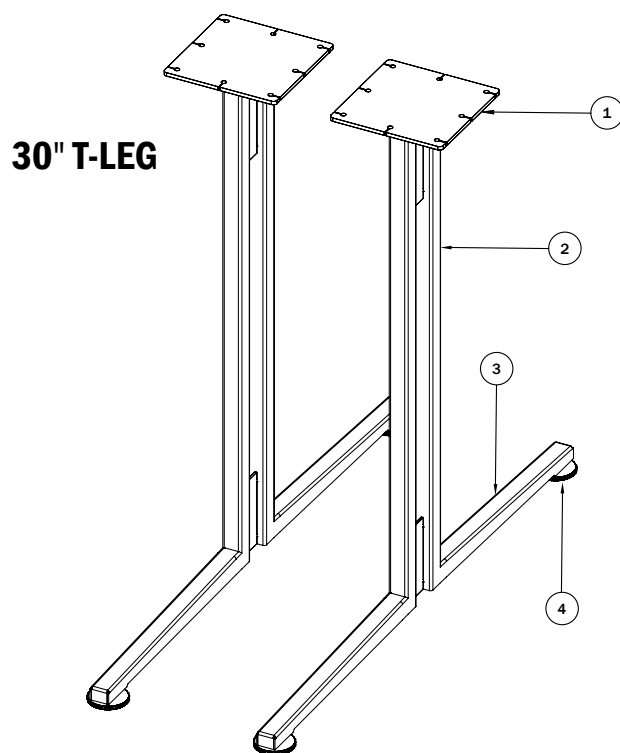
Meets 2014 BIFMA standards.

## WARRANTY

Contact your sales representative for warranty information.

# OV1009

## PARTS DIAGRAM



### PARTS

1. Mounting Plate
2. Column
3. Foot
4. Glides

# SAFETY INFORMATION

## **IMPORTANT SAFETY INSTRUCTIONS** *Save these instructions.*

### **INSTALL ONLY APPROVED WORK SURFACES**

This table system does not include a work surface (desktop). Maximum load for table is 200 lb, including work surface. Maximum desktop dimensions are 30"x72". If you are unsure if your preferred work surface meets specifications, contact customer service.

### **DO NOT OVERLOAD DESK**

To prevent table from tipping or collapsing, make sure the desk frame is not overloaded by the weight of tabletop and objects on table. Evenly distribute load; excess loads near edges can reduce stability and cause table to tip over.

- Do not exceed maximum load (including weight of desktop) of 200 lb (91Kg)
- Do not exceed edge load of 25 lb when positioning monitors or mounting accessories
- Do not sit or stand on table

### **USE CARE WHEN MOVING TABLE**

- Remove all objects and mounted accessories from the table before moving
- Clear objects and equipment from table before rolling to reduce the risk of tipping over

# ASSEMBLY INSTRUCTIONS

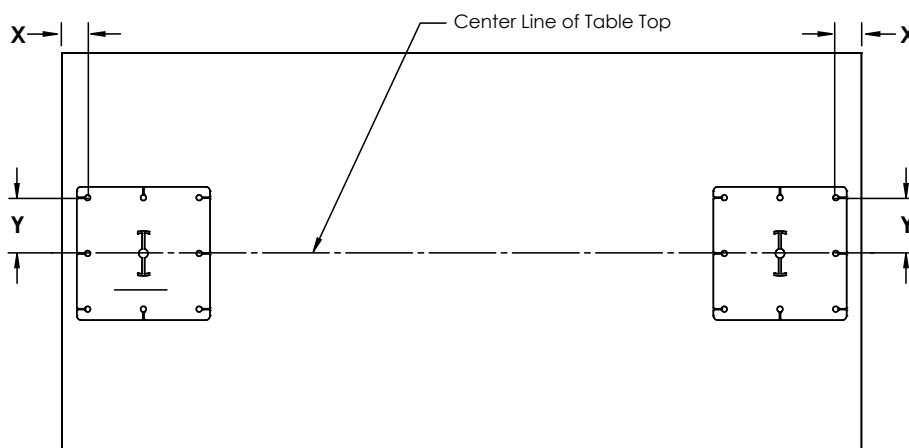
The assembly of the table frame to be made in accordance with this manual. Changes to the table frame or improper use may affect the safety, function, and life of your product.

*This manual applies to the following table legs: 30" T-Leg*

## 1 INSTALL COLUMN ASSEMBLY TO THE TABLE TOP

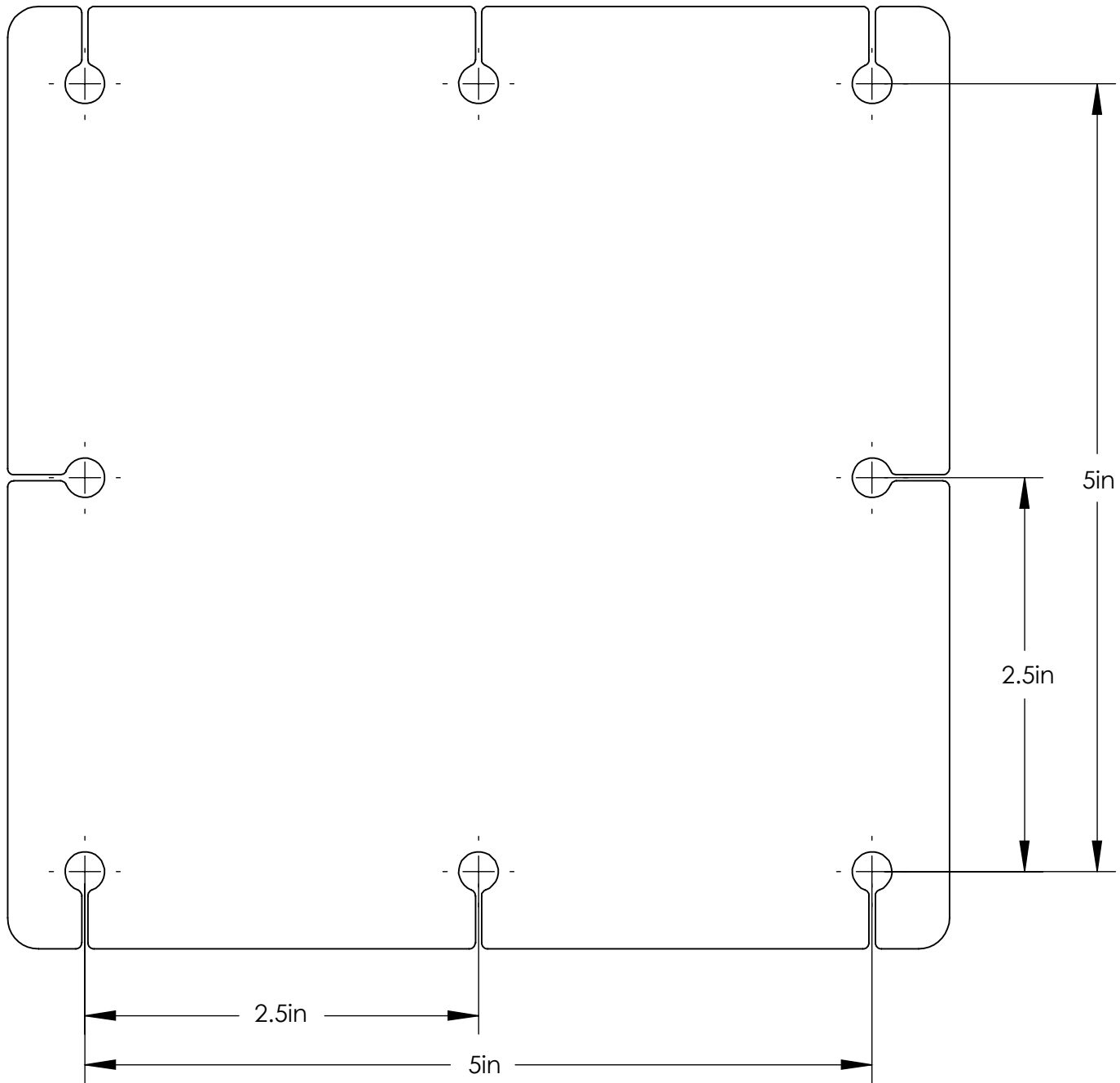
Use the chart below to locate the position of the pilot holes on the table top:

LEG CONFIGURATION	FRONT CORNER HOLE DEPTH LOCATION (X)	FRONT CORNER HOLE WIDTH LOCATION (Y)
30 in T-Leg	1.5 in	2.5 in

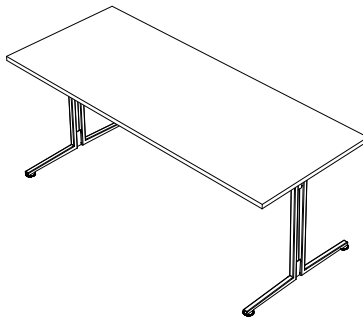


Mark the locations of the pilot holes. Drill the pilot holes to the size recommended by the table top manufacturer. Install the screws through the mounting plate into the table top.

NOTE: The holes in the mounting plate are .280 in



If you have any difficulty assembling this unit, or need to order replacement parts, please contact our Customer Service department. Use the parts diagram on page 4 as a reference.



# **OV1009**

## **USER GUIDE**

Part No. 65291