

OV1008 | Part No. 66060, 66629



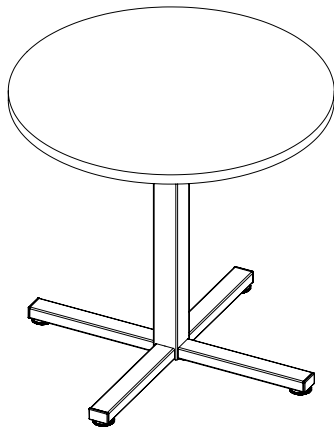
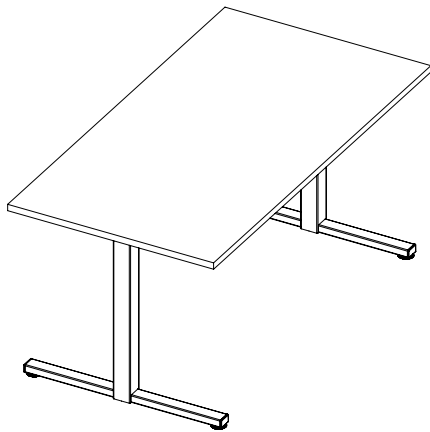
OV1008

FIXED LEG TABLE

USER GUIDE

OV1008

FIXED LEG TABLE



The OV1008 table solution combines easy assembly and hundreds of color combinations with a well-designed and contemporary product. This line is both useful and attractive with coordinating fixed-height T-Leg and X-Base options. OV1008 features knock-down construction and single box packaging for easy shipping and storage.

Appreciate the style, quality construction and durability this product line offers. Engineered and tested for dependability.

FEATURES

- T-Leg and X-Base options
- BIFMA tested and approved
- Ten-year warranty
- Easy assembly
- Over 150 colors with two-tone combinations available

TABLE OF CONTENTS

Parts Diagram	4
30" T-Leg	4
30" X-Base	4
Safety Information	5
Assembly Instructions	6-7

CUSTOMER SERVICE

If you have any problems with your table base, please contact our service department.

PHONE: 1-616-738-6688

FAX: 1-616-738-6682

STANDARDS & CERTIFICATIONS

Meets 2014 BIFMA standards.

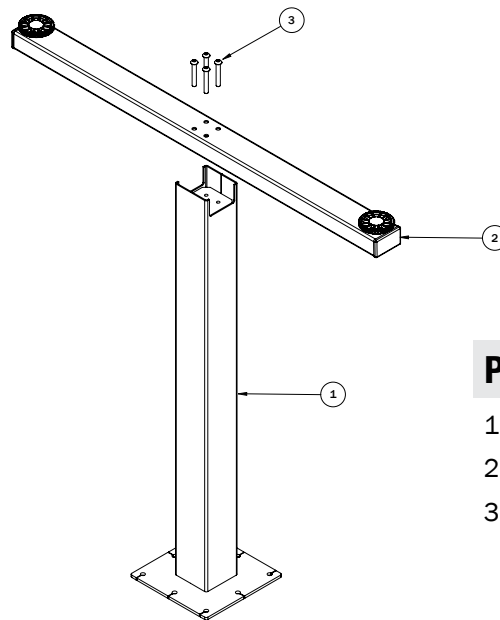
WARRANTY

Contact your sales representative for warranty information.

OV1008

PARTS DIAGRAM

30" T-LEG

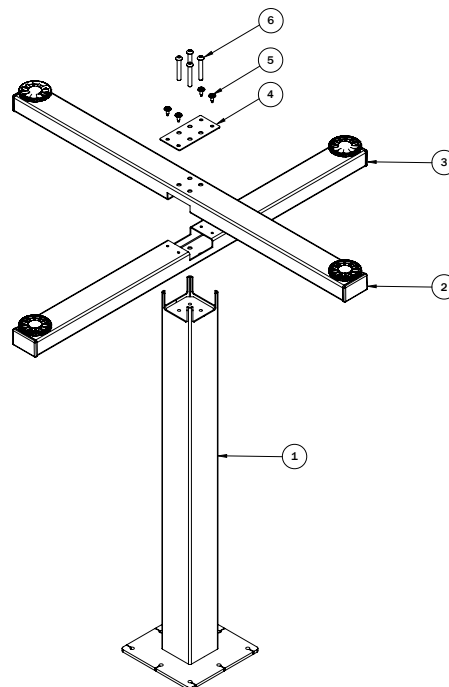


PARTS

Qty/Package

1. Column	2
2. Foot Assembly	2
3. M6 x 40mm Button Head Cap Screw	8

30" X-BASE



PARTS

Qty/Package

1. Column	1
2. Bottom Foot Assembly	1
3. Top Foot Assembly	1
4. Mending Plate	1
5. #8 x 1/2" Self-Drilling Screw	4
6. M6 x 40mm Button Head Cap Screw	4

SAFETY INFORMATION

IMPORTANT SAFETY INSTRUCTIONS *Save these instructions.*

INSTALL ONLY APPROVED WORK SURFACES

This table system does not include a work surface (desktop). Maximum load for table is 200 lb, including work surface. Desktop dimensions for X-Base are not to exceed 24" (square) or 30" (round). Maximum desktop depth for T-Leg not to exceed 30". If you are unsure if your preferred work surface meets specifications, contact customer service.

DO NOT OVERLOAD DESK

To prevent table from tipping or collapsing, make sure the desk frame is not overloaded by the weight of tabletop and objects on table. Evenly distribute load; excess loads near edges can reduce stability and cause table to tip over.

- Do not exceed maximum load (including weight of desktop) of 200 lb (91Kg)
- Do not exceed edge load of 25 lb when positioning monitors or mounting accessories
- Do not sit or stand on table

USE CARE WHEN MOVING TABLE

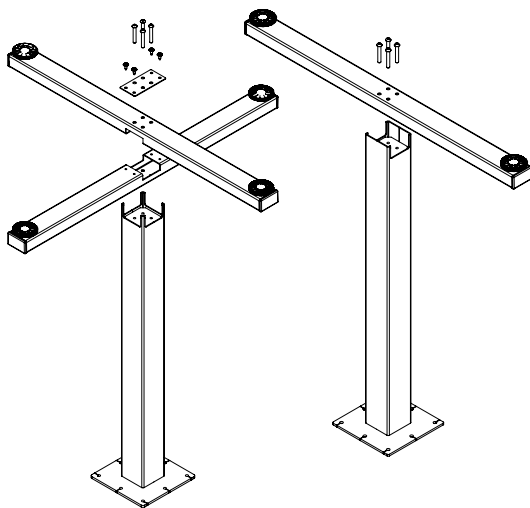
- Remove all objects and mounted accessories from the table before moving
- Clear objects and equipment from table before rolling to reduce the risk of tipping over

ASSEMBLY INSTRUCTIONS

The assembly of the table frame to be made in accordance with this manual. Changes to the table frame or improper use may affect the safety, function, and life of your product.

This manual applies to the following table legs: 30" T-Leg, 30" X-Base

ASSEMBLY OVERVIEW



1. Assemble the foot to the column
2. Attach the column to the table top

1 ASSEMBLE THE FOOT TO THE COLUMN

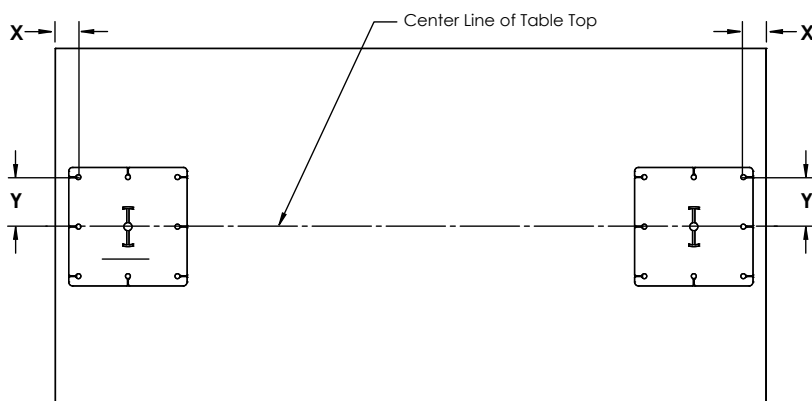
Install four (4) M6 button head screws through the bottom of the foot and into the threaded holes in the bottom of the column.

X-Base: Be sure to attach mending plate on bottom with accompanying screws.

NOTE: Do not drive the screws into the column with a drill or impact driver without first starting the screws by hand.

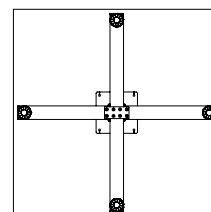
2 INSTALL COLUMN ASSEMBLY TO THE TABLE TOP

Use the chart below to locate the position of the pilot holes on the table top:

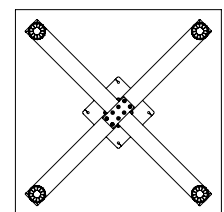


LEG CONFIGURATION	FRONT CORNER HOLE DEPTH LOCATION (X)	FRONT CORNER HOLE WIDTH LOCATION (Y)
30 in T-Leg	1.5 in	2.5 in

X-Base on a square work surface must be mounted as shown. Failure to follow this step will result in poor stability.



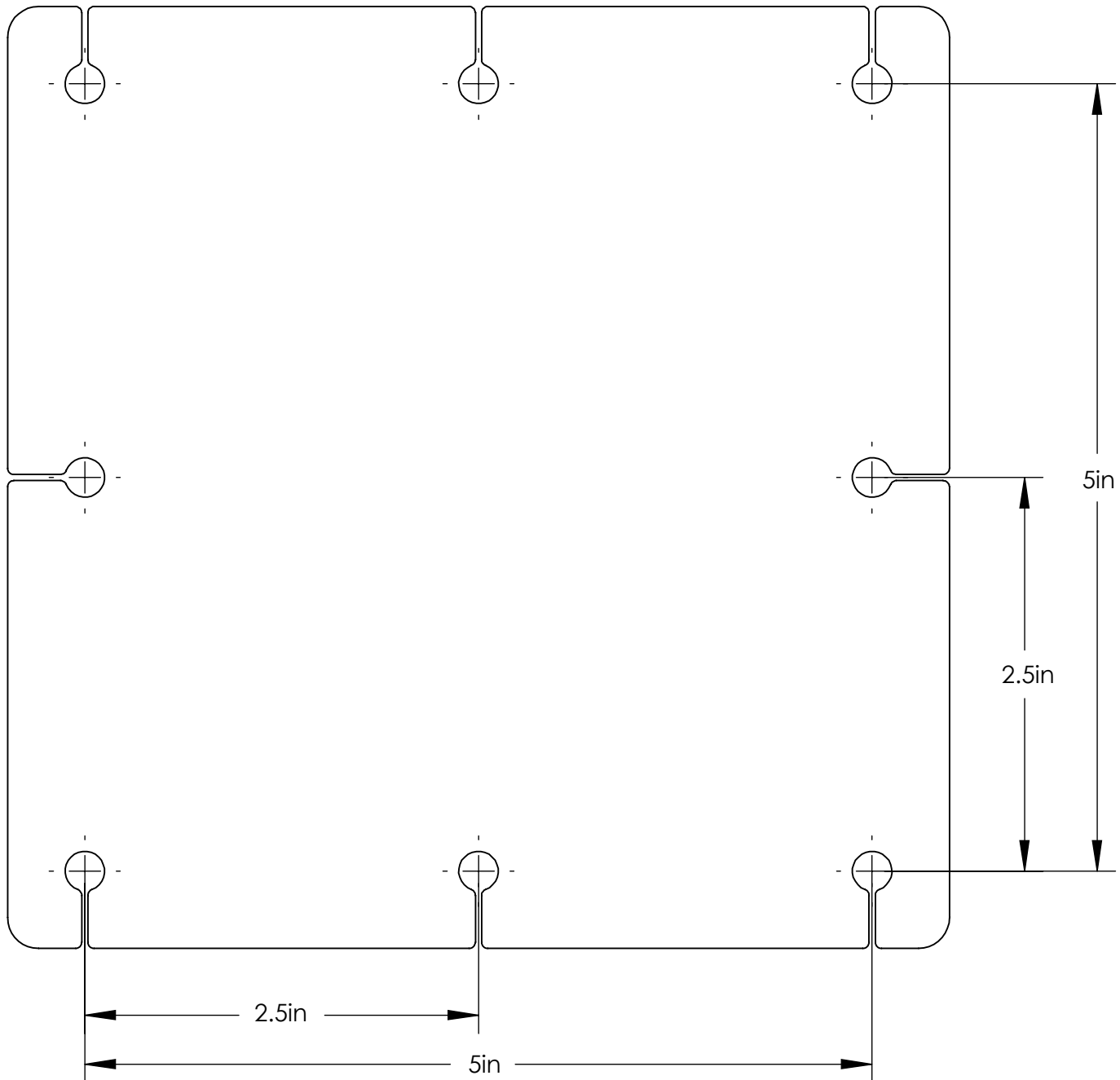
✗ INCORRECT



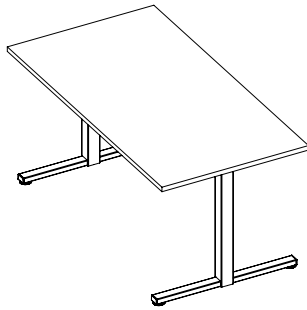
✓ CORRECT

Mark the locations of the pilot holes. Drill the pilot holes to the size recommended by the table top manufacturer. Install the screws through the mounting plate into the table top.

NOTE: The holes in the mounting plate are .280 in



If you have any difficulty assembling this unit, or need to order replacement parts, please contact our Customer Service department. Use the parts diagram on page 4 as a reference.



OV1008

USER GUIDE

Part No. 66060, 66629