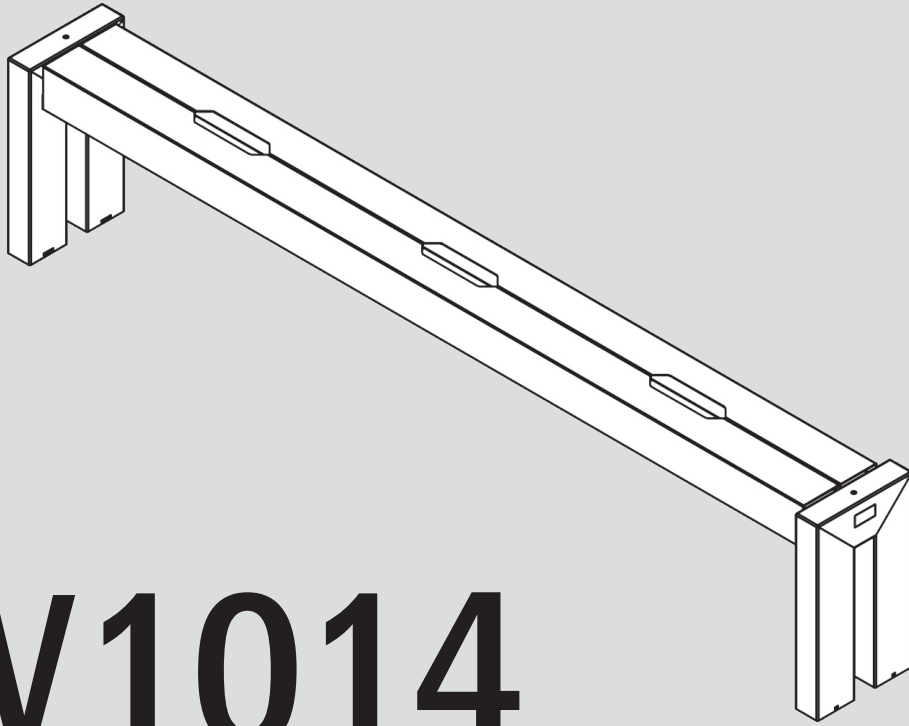


OV1014 | Part No. 83207-A



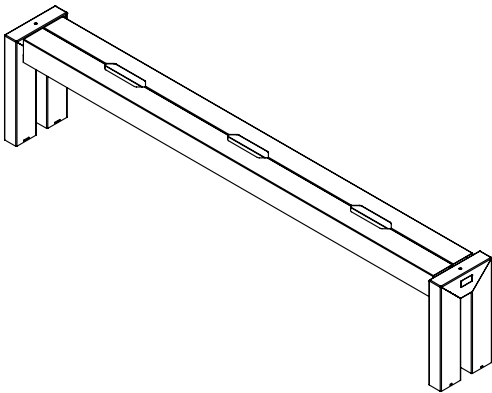
OV1014

STANDALONE WIRE MANAGER

USER GUIDE

OV1014

STANDALONE WIRE MANAGER



The Stand-Alone Wire Manager stands detached from any table or desk and offers wire management with the option of hardwire power. Its simple design makes it easy to pair with any system or office configuration at any time, allowing for the creation of economical benching systems and stretching the possibilities through mobility for future workspace expansions.

FEATURES

- Wire manager and power supply
- Free-standing with easy mobility
- UL listed power components available
- Easy access covers
- Mounting points for privacy screen add-on

TABLE OF CONTENTS

Parts Diagram	4
Safety Information	5
Assembly Instructions	6-7

CUSTOMER SERVICE

If you have any problems with your wire manager, please contact our service department.

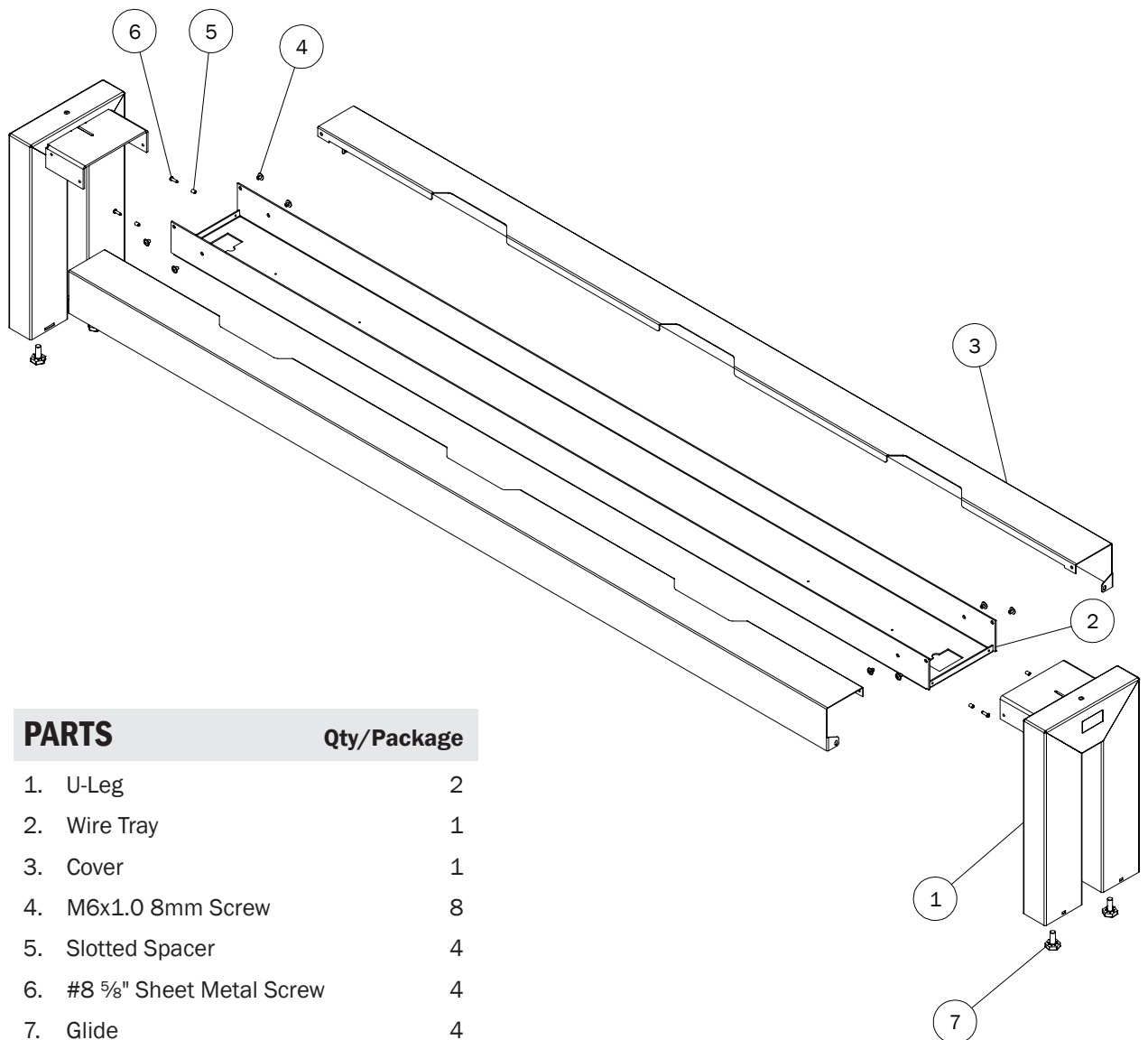
PHONE: 1-616-738-6688
FAX: 1-616-738-6682

WARRANTY

CONTACT YOUR SALES REPRESENTATIVE FOR WARRANTY INFORMATION

OV1014

PARTS DIAGRAM



PARTS	Qty/Package
1. U-Leg	2
2. Wire Tray	1
3. Cover	1
4. M6x1.0 8mm Screw	8
5. Slotted Spacer	4
6. #8 5/8" Sheet Metal Screw	4
7. Glide	4

SAFETY INFORMATION

IMPORTANT SAFETY INSTRUCTIONS *Save these instructions.*

WARNING: To reduce the risk of death, serious injury, or property damage, read and follow this safety information and the provided instructions when assembling this product. Do not change or replace components and accessories provided by OMT-Veyhl.

KEEP AWAY FROM CHILDREN

This wire management system is not designed for use in homes or other areas accessible by small children. For indoor commercial office use only.

ASSEMBLY INSTRUCTIONS

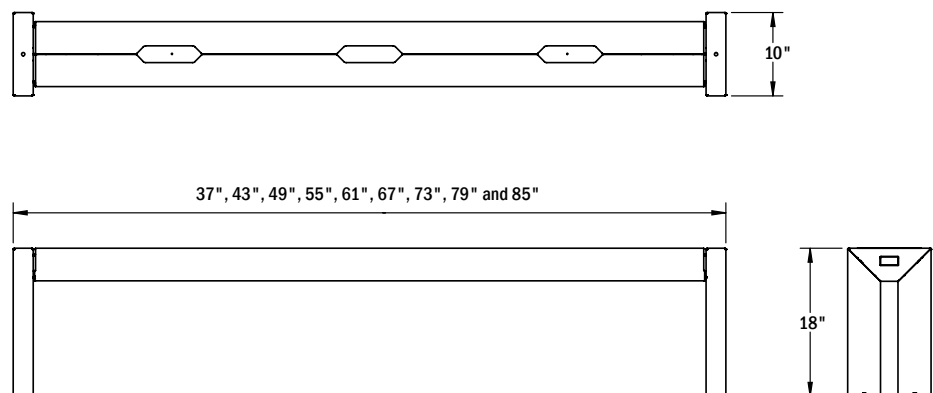
The assembly of the wire management system to be made in accordance with this manual. Changes to the wire management system or improper use may affect the safety, function, and life of your product.

*This manual is for all wire management systems from the OV1014 series.
Due to different models or types, pictures may vary.*

ASSEMBLY OVERVIEW

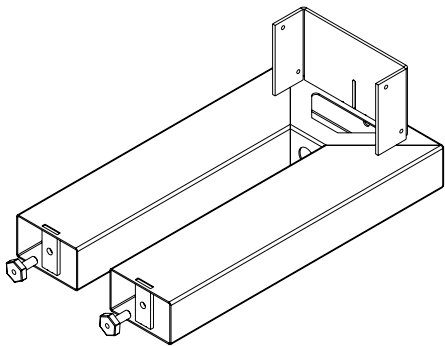
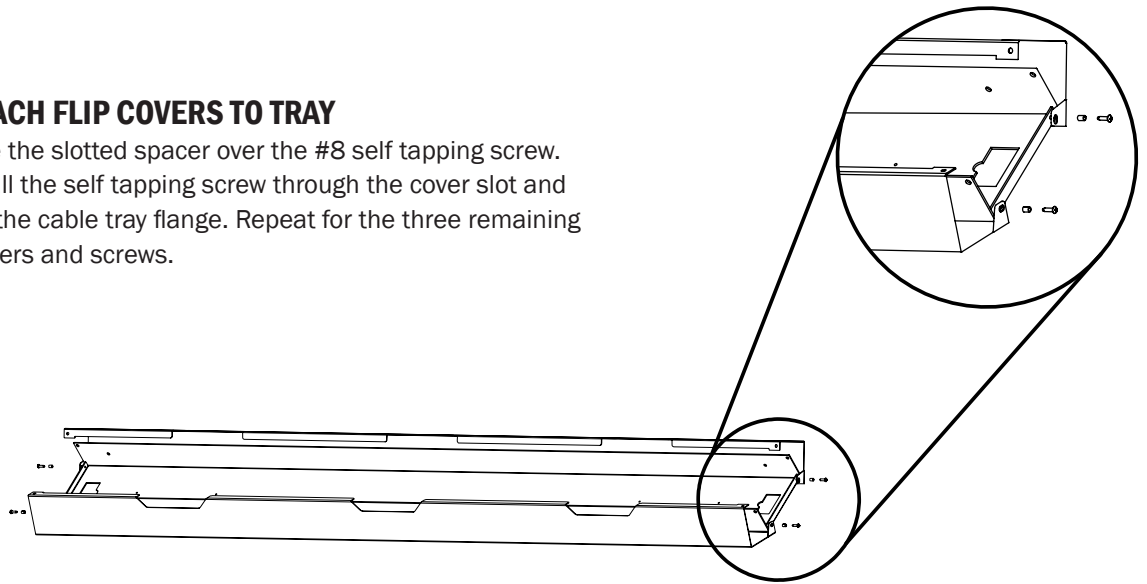
1. Attach covers to tray
2. Attach glides to U-legs
3. Assemble the wire tray to the U-legs

If you have any difficulty assembling this unit, or need to order replacement parts, please contact our Customer Service department. Use the parts diagram on page 4 as a reference.



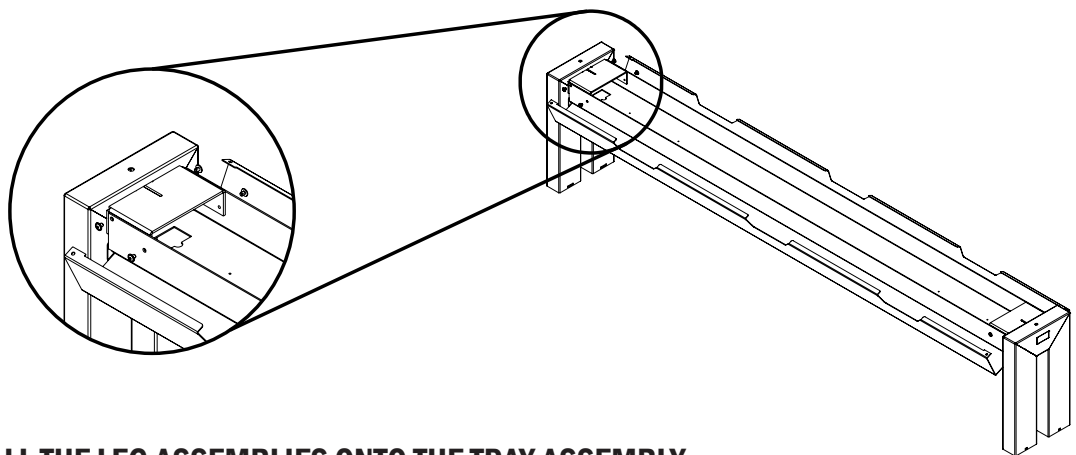
1 ATTACH FLIP COVERS TO TRAY

Slide the slotted spacer over the #8 self tapping screw. Install the self tapping screw through the cover slot and into the cable tray flange. Repeat for the three remaining spacers and screws.



2 INSTALL THE GLIDES

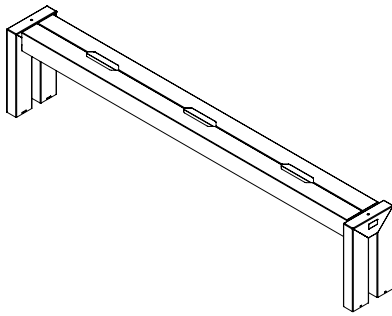
Screw glides into threaded inserts in U-legs.



3 INSTALL THE LEG ASSEMBLIES ONTO THE TRAY ASSEMBLY

Install the M6 screw through the cable tray and into the U-leg gusset.

Tip: Do not tighten the screws until all screws have been started.



OV1014 USER GUIDE

Part No. 83207-A