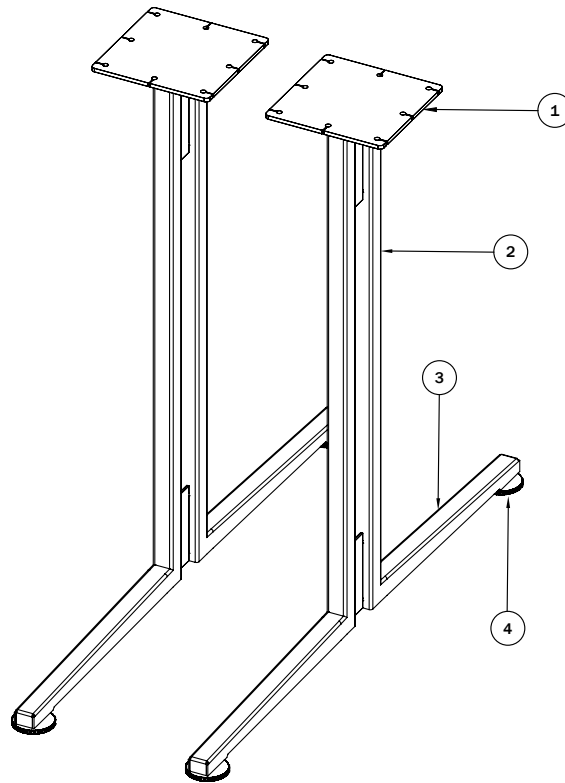


# PARTS DIAGRAM

## 30" T-LEG



### PARTS

1. Mounting Plate
2. Column
3. Foot
4. Glides