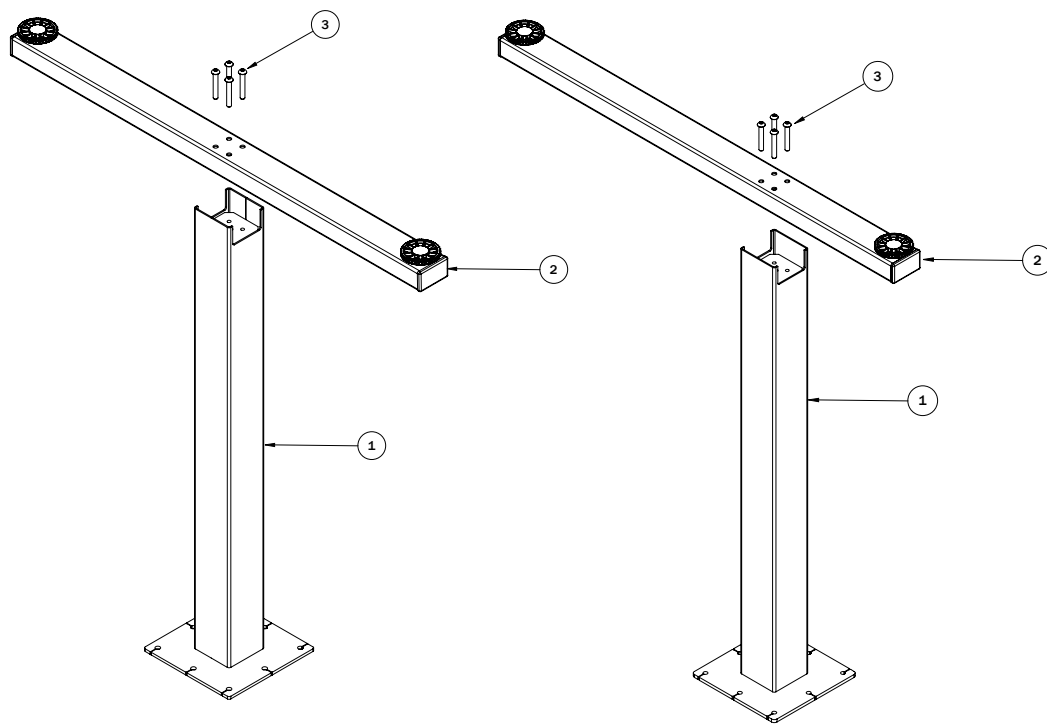


PARTS DIAGRAM

24"/30" T&C LEG



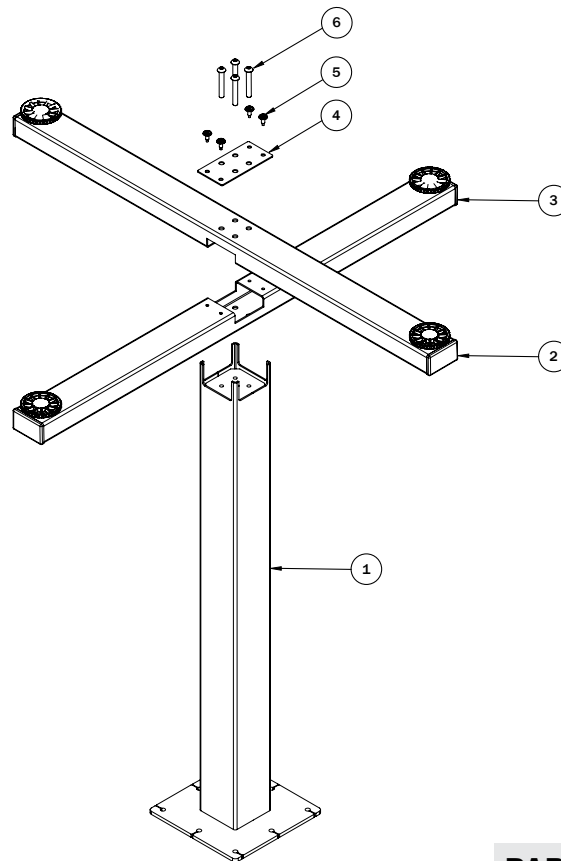
PARTS

Qty/Package

| | |
|------------------------------------|---|
| 1. Column | 2 |
| 2. Foot Assembly | 2 |
| 3. M6 x 40mm Button Head Cap Screw | 8 |

PARTS DIAGRAM

30" X-BASE



| PARTS | Qty/Package |
|------------------------------------|-------------|
| 1. Column | 1 |
| 2. Bottom Foot Assembly | 1 |
| 3. Top Foot Assembly | 1 |
| 4. Mending Plate | 1 |
| 5. #8 x 1/2" Self-Drilling Screw | 4 |
| 6. M6 x 40mm Button Head Cap Screw | 4 |

