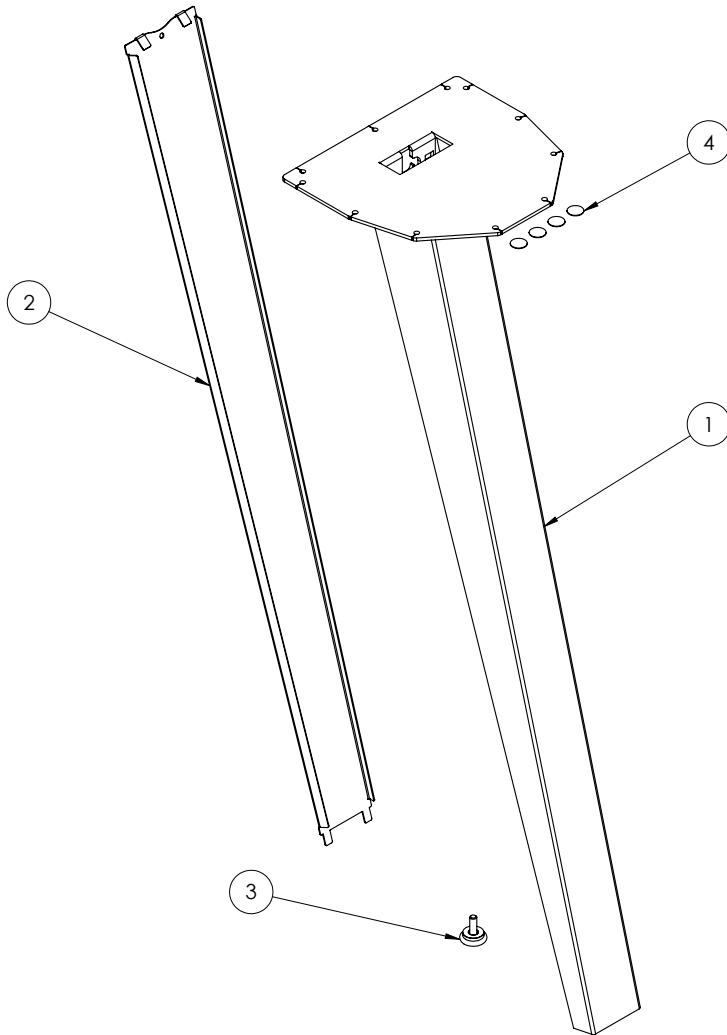


# PARTS DIAGRAM



## PARTS

### Qty/Package

1. Leg	1
2. Cover Panel	1
3. Glide Foot	1
4. Felt Pads	4