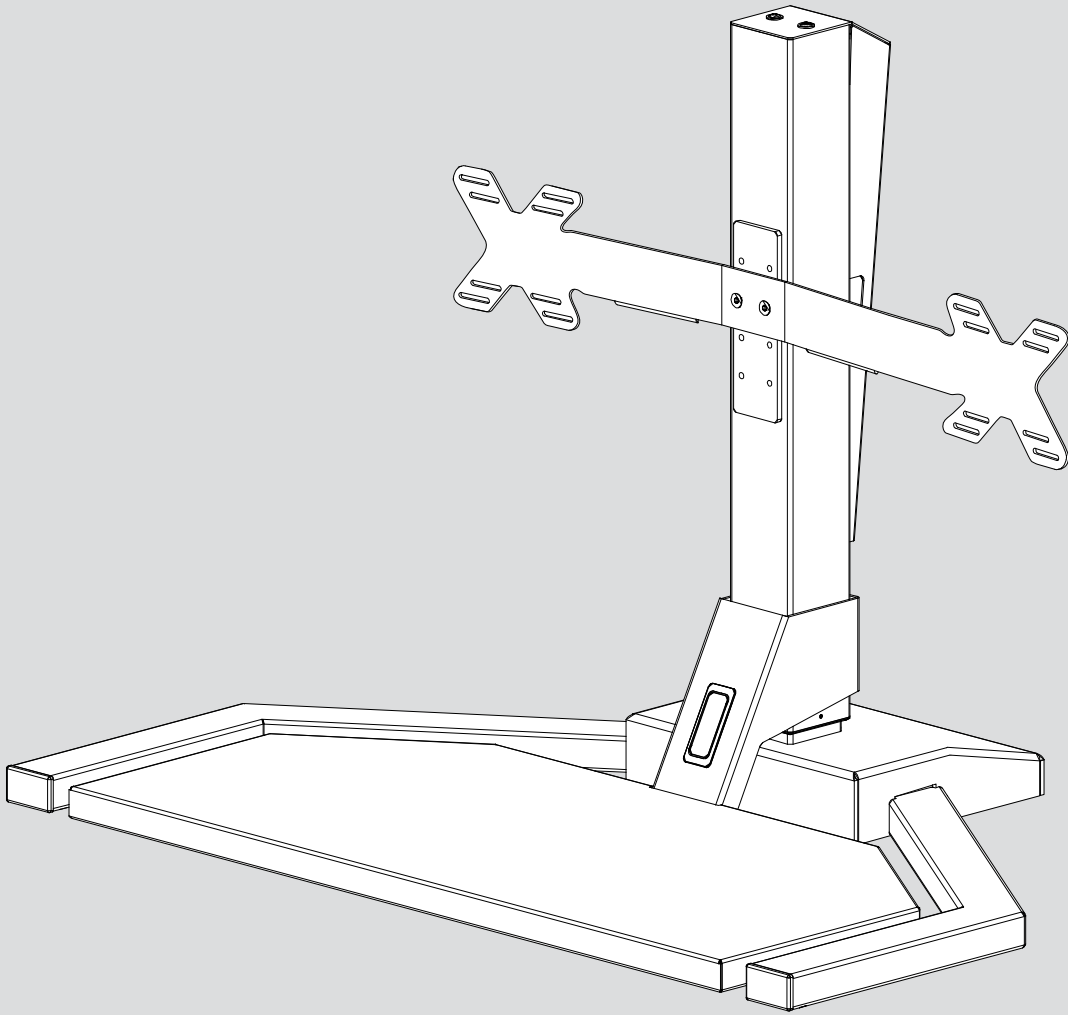


OV1015 | Part No. 84981



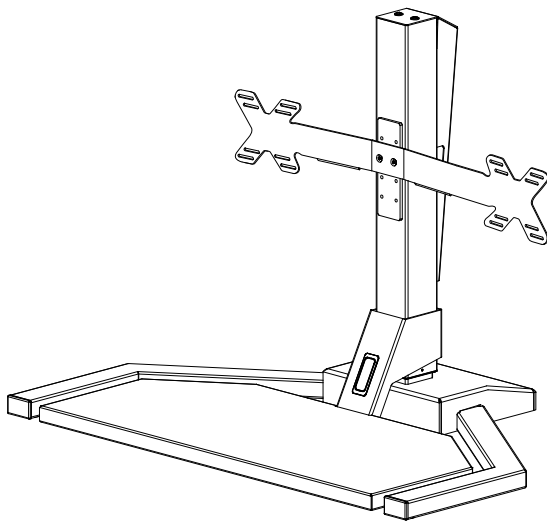
OV1015

HEIGHT ADJUSTABLE WORKSTATION

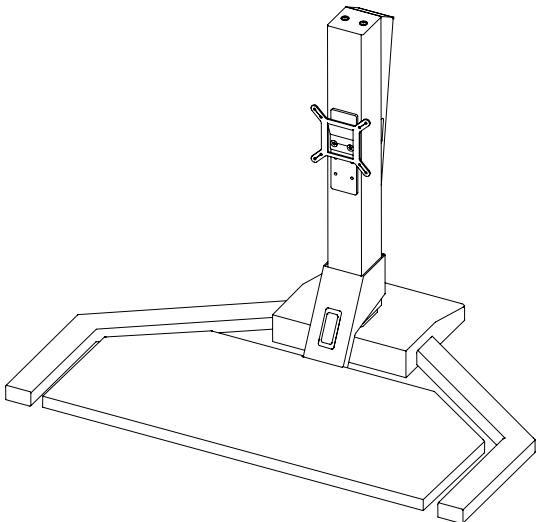
USER GUIDE

OV1015

HEIGHT ADJUSTABLE WORKSTATION



Transform your home and office into true ergonomic workspaces. The OV1015 height adjustable workstation has clean, modern lines and is simple to use. OV1015 provides electric height adjustability, single or dual monitor support, VESA mount capability, integrated wire management, BIFMA compliance and all steel construction. Solid, made with quality and built here in the USA.



FEATURES

- Single and dual monitor configurations
- Electric lift
- Integrated wire management
- Tools provided for easy assembly
- Two color options
- Rated for 67 lb. total weight
35 lb. load (tray) and 32 lb. (monitor mount)

TABLE OF CONTENTS

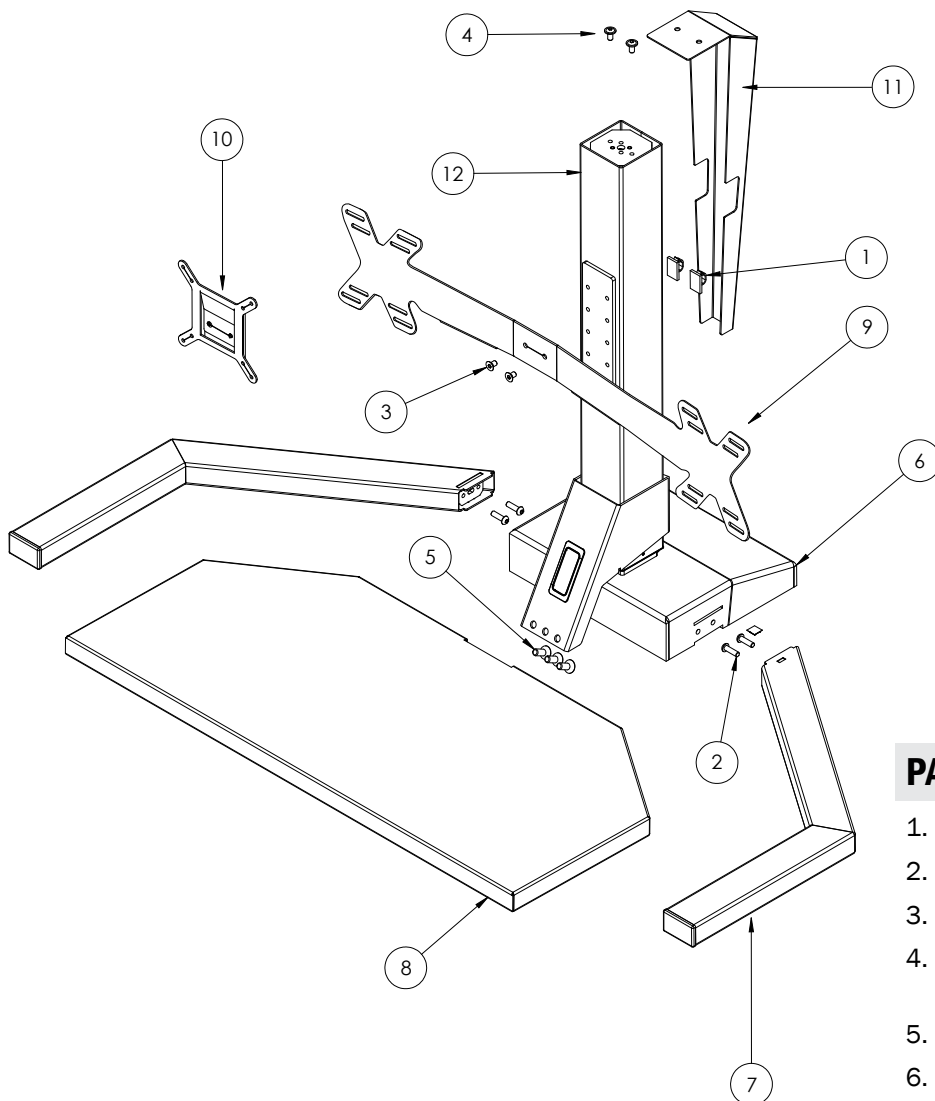
Parts Diagram	4-5
Workstation Unit	4
Hardware Kit	5
Safety Information	6-7
Assembly Instructions	8-15
Operation	16
Initialization and Reset	16
Handswitch Operation	16
Troubleshooting	17
Unit Errors	17
Handswitch Errors	17
Technical Data	18
Standards & Certifications	19
Customer Service	19
Warranty & Returns	19

This manual explains how this sit-stand workstation is assembled, used, and maintained. All sit-stand workstations are subjected to functional and quality tests before leaving our facility.

For additional assembly assistance on this product, view our step-by-step assembly video at www.youtube.com/watch?v=qdyY9aWiz6U.

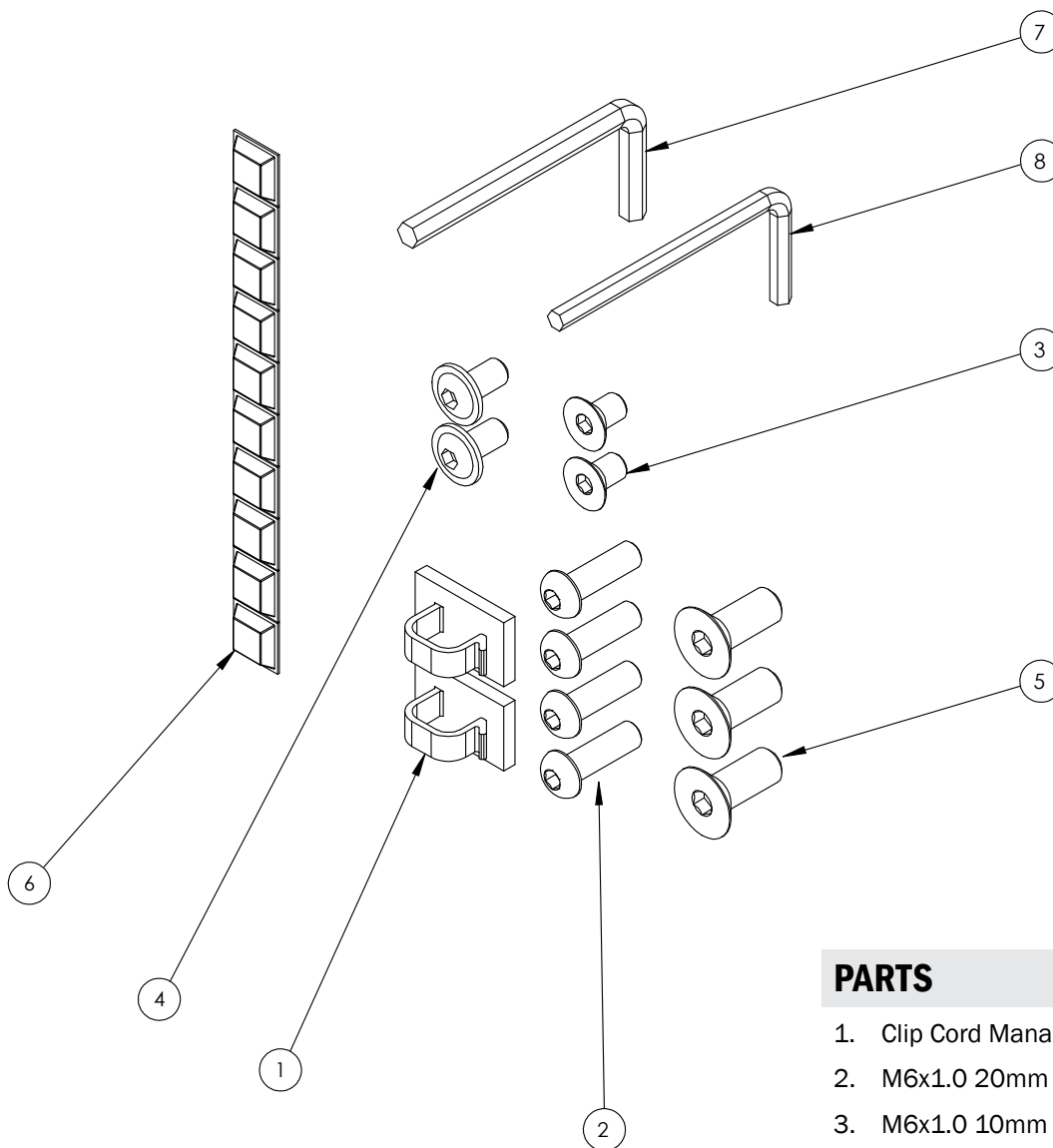
OV1015

PARTS DIAGRAM



PARTS	Qty/Package
1. Clip Cord Manager	2
2. M6x1.0 20mm Button Head Screw	4
3. M6x1.0 10mm Flat Head Screw	2
4. M6x1.0 12mm Flange Button Head Screw	2
5. M8x1.25 20mm Flat Head Screw	3
6. Motor Box	1
7. Universal Desktop Angle Foot	2
8. Desktop Tray	1
9. Mounting Bracket (Dual)	1
10. Mounting Bracket (Single)	1
11. Wire Management Bracket	1
12. Column	1

HARDWARE KIT CONTENTS



PARTS		Qty/Package
-------	--	-------------

1.	Clip Cord Manager	2
2.	M6x1.0 20mm Button Head Screw	4
3.	M6x1.0 10mm Flat Head Screw	2
4.	M6x1.0 12mm Flange Button Head Screw	2
5.	M8x1.25 20mm Flat Head Screw	3
6.	Bumper Pads	10
7.	5mm Allen Wrench	1
8.	4mm Allen Wrench	1

SAFETY INFORMATION

IMPORTANT SAFETY INSTRUCTIONS *Save these instructions.*

DANGER To reduce the risk of electric shock:

Always unplug this furnishing from the electrical outlet before cleaning.

WARNING: To reduce the risk of death, serious injury, or property damage, read and follow this safety information and the provided instructions when assembling this product. Do not change or replace components and accessories provided by OMT-Veyhl.

INSTALL ONLY ON STABLE WORK SURFACES

Install on stable surfaces with entirety of legs and motor box supported.

KEEP AWAY FROM CHILDREN

This unit is not designed for use in areas accessible by small children. For indoor use only.

BE CAREFUL WHEN ADJUSTING WORKSTATION HEIGHT

Body parts and property can be caught between the moving work surface and an immobile obstacle (such as shelves, furniture, window sills, or walls). Keep at least one inch of clearance around workstation and make sure nothing is in workstation's path for its entire range of motion.

Before raising or lowering:

- Check surroundings on all sides of workstation are clear
- Make sure corded objects will not be pulled off workstation or cause other objects to fall
- Make sure workstation power cord moves freely as tray moves up and down

DO NOT OVERLOAD DESK

To prevent workstation from tipping or collapsing, make sure the tray is not overloaded by the weight of objects on tray. Evenly distribute load; excess loads near edges can reduce stability and lead to tip over.

- Do not exceed maximum load of 35 lb. (16Kg) on tray
- Do not sit or stand on table

USE CARE WHEN MOVING WORKSTATION

- Clear objects and equipment from workstation before moving to reduce the risk of tipping over.
- Adjust the workstation to its lowest height before moving
- To disconnect, turn all controls to the off position, then remove plug from outlet
- Do not move a loaded workstation
- Do not lift the workstation by the tray

DO NOT OPEN ELECTRICAL COMPONENTS

Do not attempt to service components. There are no user-serviceable parts inside the motor control units or legs. If your workstation needs service, contact customer service. Never operate this furnishing if it has a damaged cord or plug, if it is not working properly, if it has been dropped or damaged. Return the furnishing to a service center for examination and repair.

KEEP WORKSTATION DRY

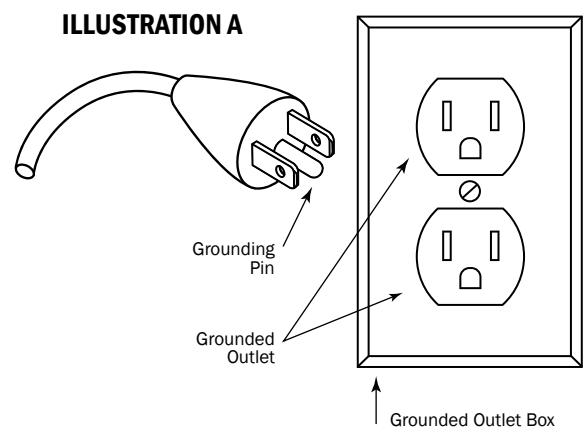
Keep all electrical components away from water and high humidity. Clean only with a dry or slightly damp cloth. Do not spray cleaning solutions directly onto workstation.

GROUNDING INSTRUCTIONS

This product is equipped with a cord having an equipment-grounding conductor and a grounding plug. **Use only the cord provided.** Make sure that the product is connected to an outlet having the same configuration as the plug (as shown in Illustration A) that is properly installed and grounded in accordance with all local codes and ordinances.

Do not modify the plug provided with the product – if it will not fit the outlet, have a proper outlet installed by a qualified electrician.

No adapters are to be used with this product.
Keep cord away from heated surfaces.



ASSEMBLY INSTRUCTIONS

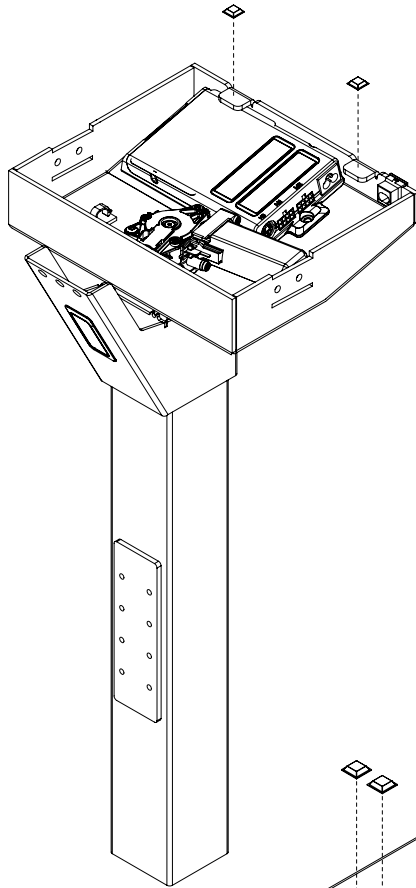
The assembly of the workstation to be made in accordance with this manual. Changes to the workstation or improper use may affect the safety, function, and life of your product.

This manual is for the OV1015 Height Adjustable Workstation.

ASSEMBLY OVERVIEW

1. Attach rubber pads to motor box and feet
2. Assemble the feet to the motor box
3. Attach rubber pads to tray
4. Assemble the tray to the column
5. Attach the monitor bracket to the column
6. Install the monitor(s)
7. Attach clip cord manager
8. Attach wire management bracket
9. Connect to power

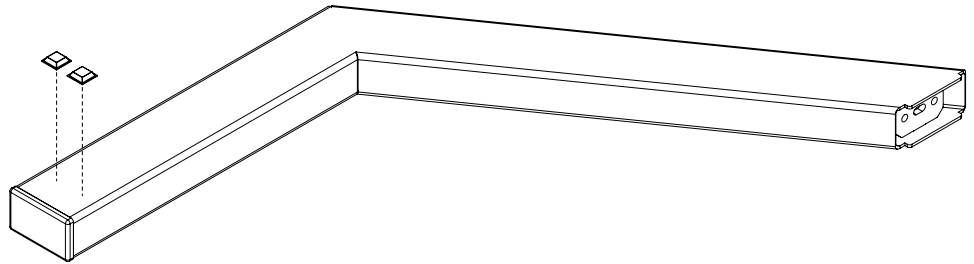
If you have any difficulty assembling this unit, or need to order replacement parts, please contact our Customer Service department. Use the parts diagrams on page 4-5 as a reference.

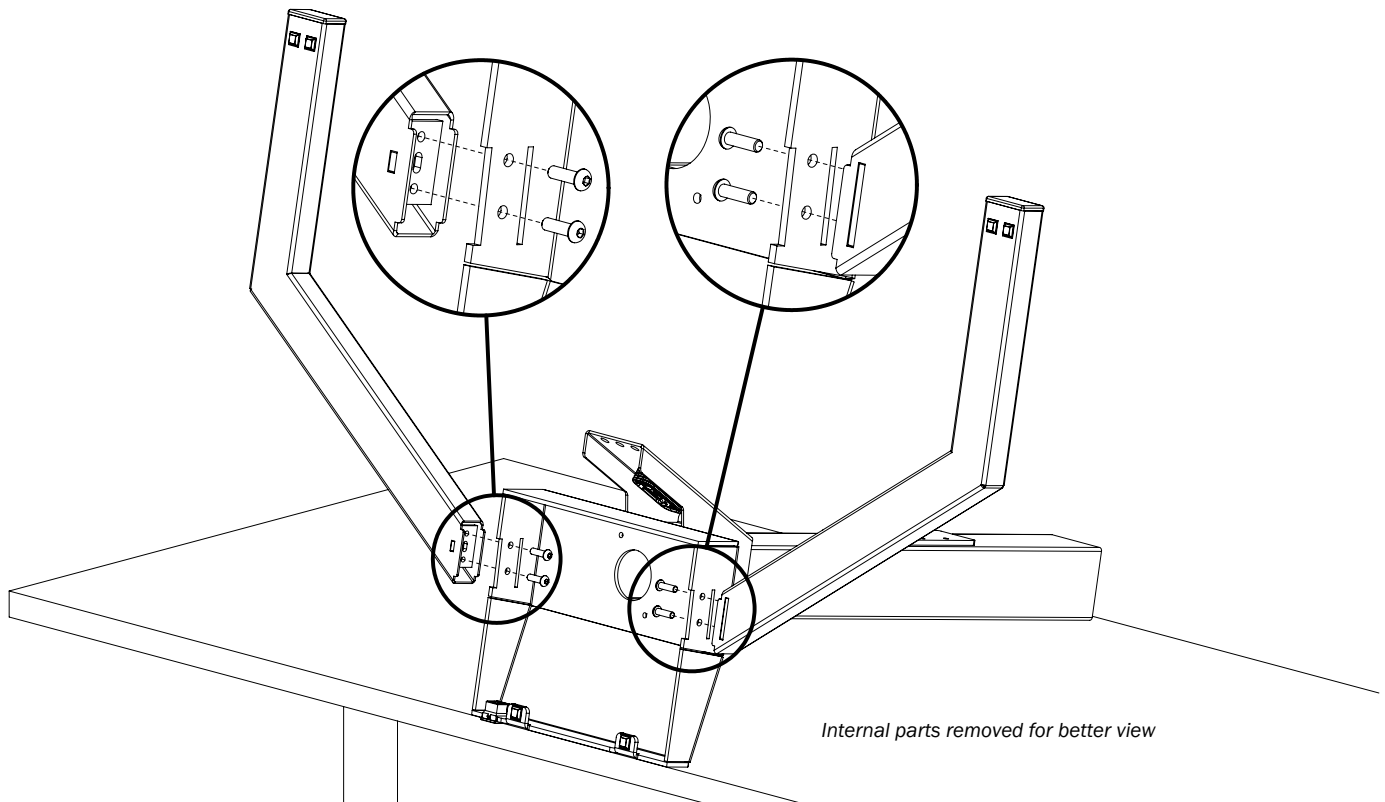


1 ATTACH RUBBER PADS TO MOTOR BOX AND FEET

Attach two of the provided rubber pads to the corresponding bottom flanges on the motor box.

Attach two rubber pads to the underside of the forward-facing section of each foot.



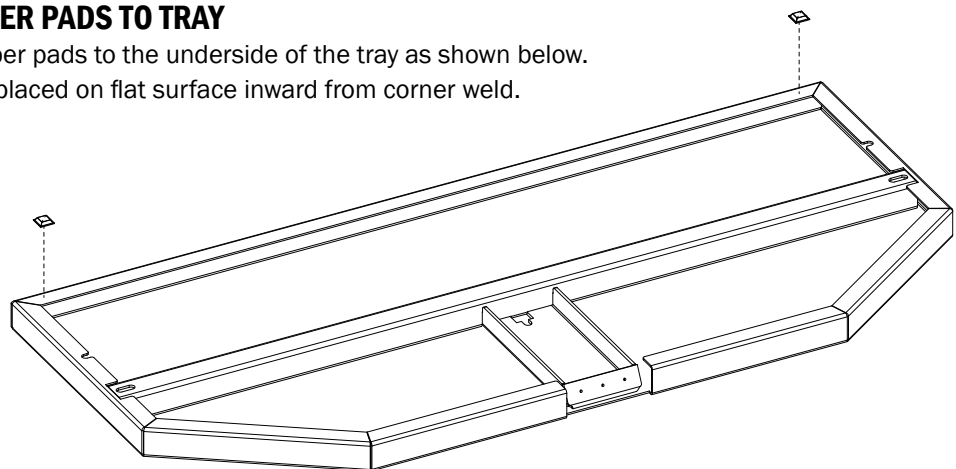


2 ASSEMBLE THE FEET TO THE MOTOR BOX

Lay column assembly on it's back as shown in diagram above. Insert the base feet tabs into the corresponding slots on the column base. Insert angled feet into column base as shown. Fasten each foot to the column base with the M6x1.0 20mm button head screws. Fully tighten screws with the provided 4mm Allen wrench.

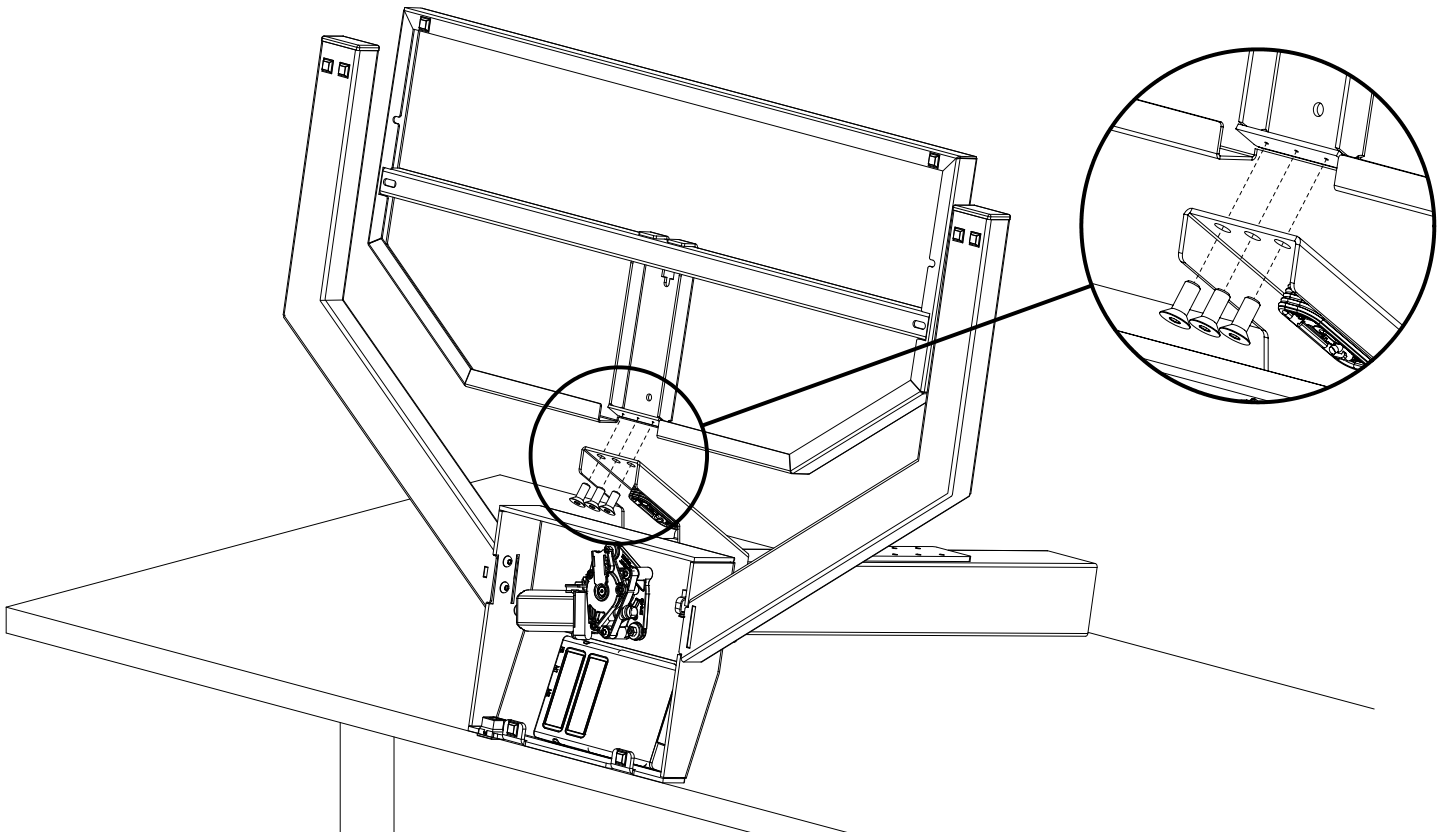
3 ATTACH RUBBER PADS TO TRAY

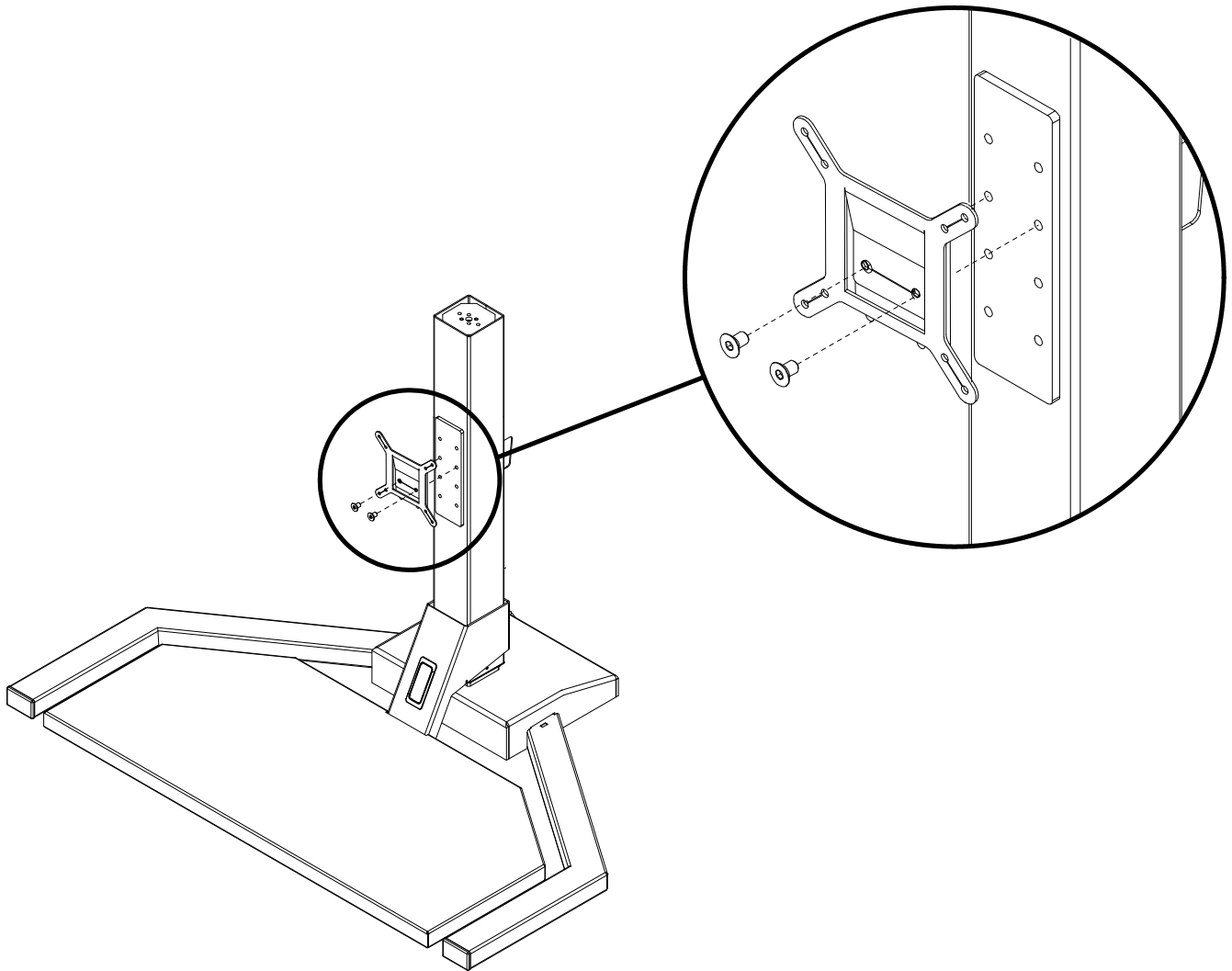
Attach two bumper pads to the underside of the tray as shown below. Pads should be placed on flat surface inward from corner weld.



4 ASSEMBLE TRAY TO COLUMN

With the column assembly still on its back, attach the desktop tray to the column assembly by setting the tray between the base feet. Using the M8x1.25 20mm flat head screws and the 5mm Allen wrench, secure the tray to the column assembly.



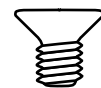


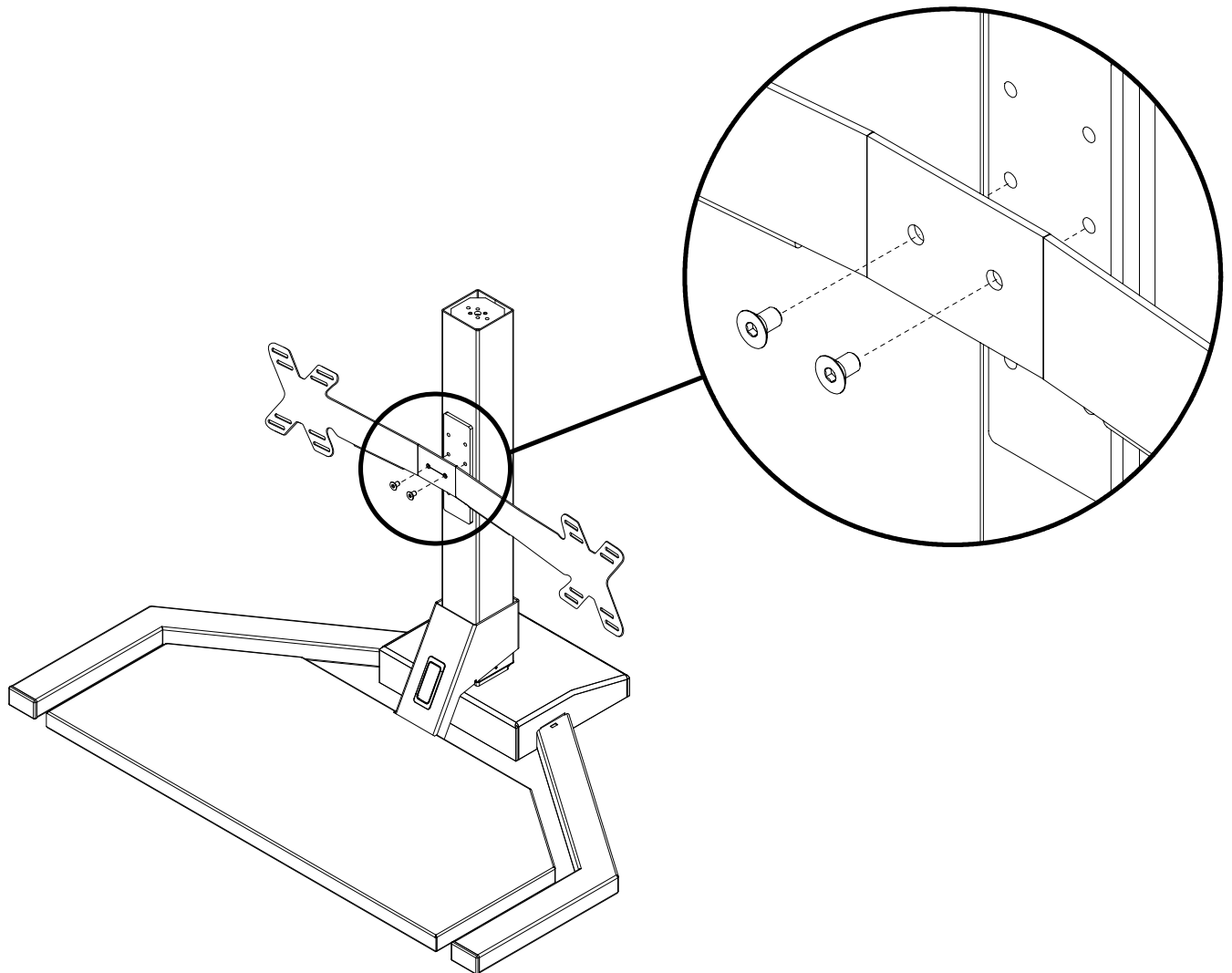
5A (SINGLE MONITOR) ATTACH THE MONITOR BRACKET TO THE COLUMN

Using the M6x1.0 10mm flat head screws provided in the hardware kit, attach the single monitor bracket to the column using one of the four attachment positions.

Make sure to test the location of the bracket before installing and use the attachment position that best fits your height requirements.

WARNING: Serious damage may occur to the functionality of your Ascend by using the wrong screws. **ONLY USE** chrome M6x1.0 10mm flat head screws to attach monitor bracket. (Shown to size)



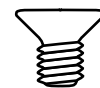


5B (DUAL MONITOR) ATTACH THE MONITOR BRACKET TO THE COLUMN

Using the M6x1.0 10mm flat head screws provided in the hardware kit, attach the dual monitor bracket to the column using one of the four attachment positions.

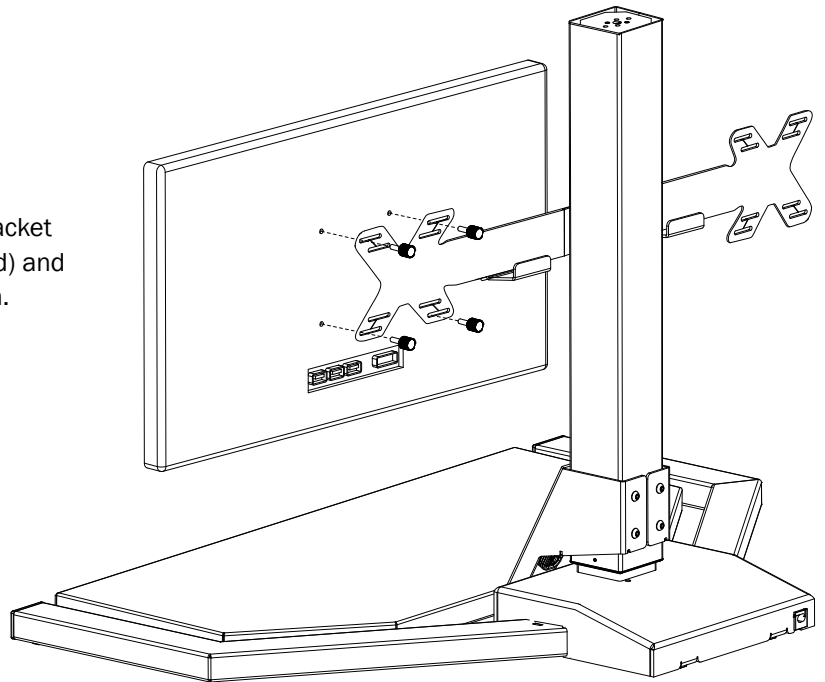
Make sure to test the location of the bracket before installing and use the attachment position that best fits your height requirements.

WARNING: Serious damage may occur to the functionality of your Ascend by using the wrong screws. **ONLY USE** chrome M6x1.0 10mm flat head screws to attach monitor bracket. (Shown to size)



6 INSTALL THE MONITOR(S)

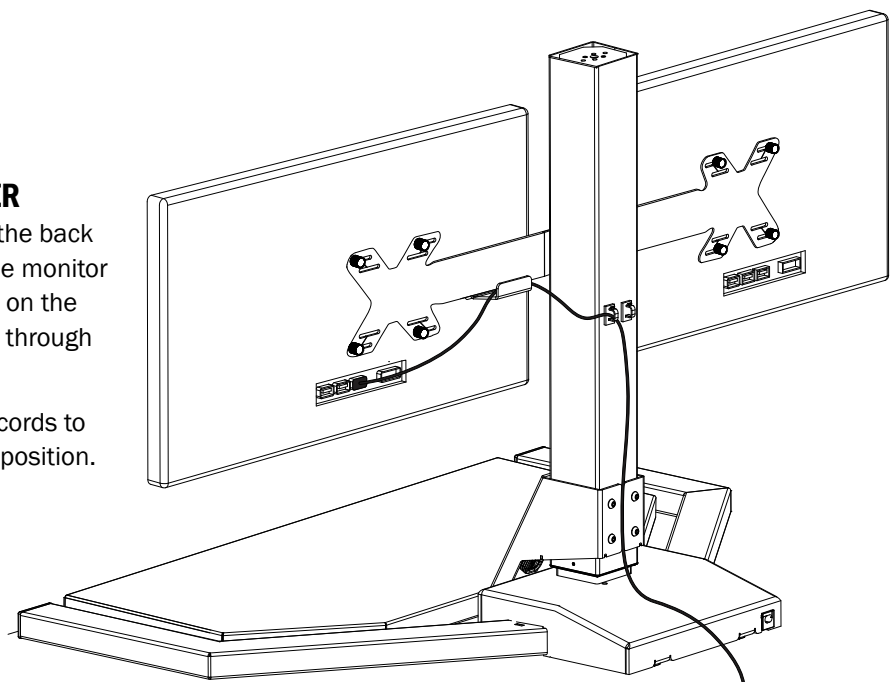
Install the monitors to the monitor bracket with four monitor screws (not provided) and adjust them to your preferred location.

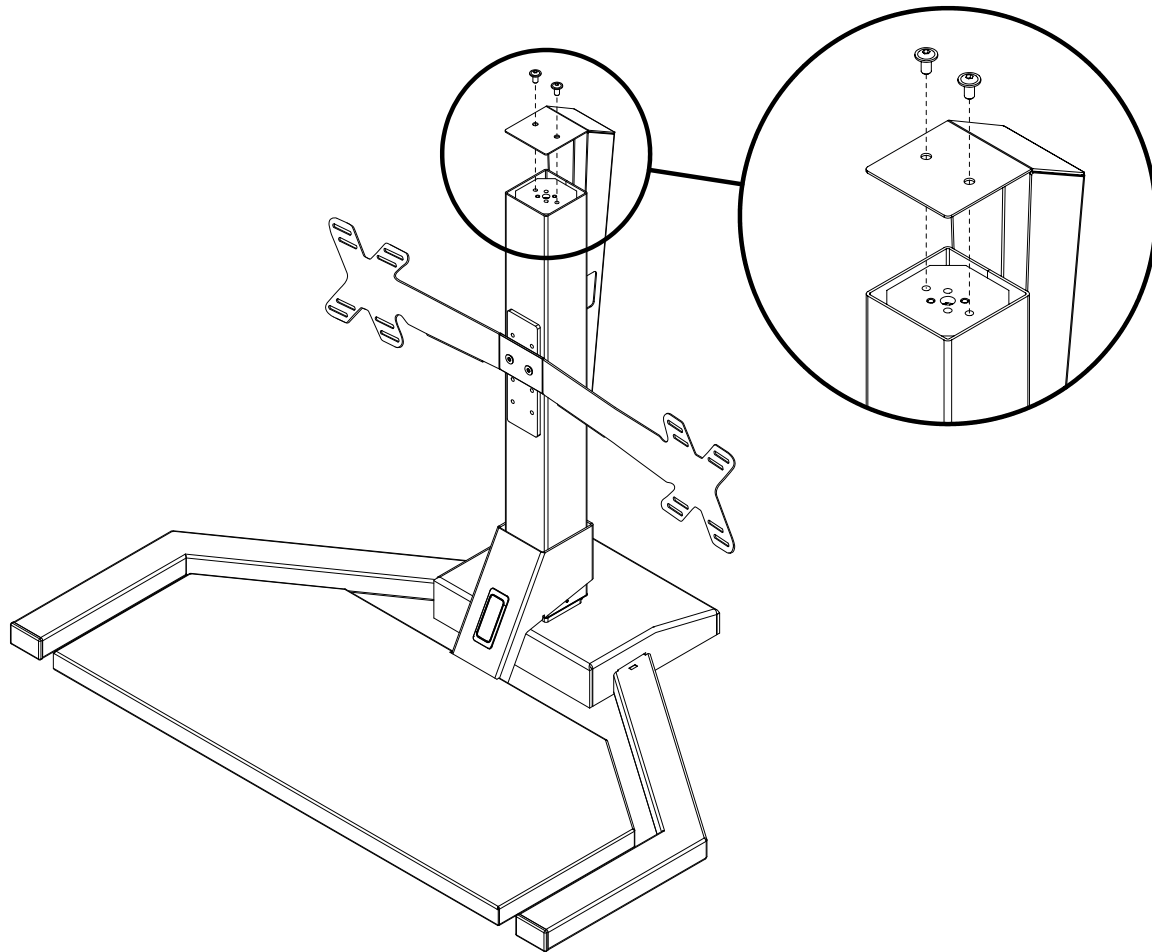


7 ATTACH CLIP CORD MANAGER

Attach the clip cord managers to the back of the column assembly. Route the monitor cords using the channels present on the back of the monitor bracket, feed through the clip cord managers.

Be sure to leave enough slack in cords to account for workstation in raised position.





8 ATTACH WIRE MANAGEMENT BRACKET

With the cords routed in the back side of the column, attach the wire management bracket using two M6x1.0 12mm flange button head screws. Do not over-tighten (hand-tightening is sufficient).

Top flange of wire management bracket can be bent by hand if it doesn't sit flush with the back side of the column.

9 CONNECT TO POWER

Enjoy your new OV1015 Height-Adjustable Tabletop Workstation!

OPERATION INFORMATION

INITIALIZATION/RESET

The workstation may need to be initialized/reset after any of the following:

- After assembly
- After disconnection from the power supply
- After any impact on the tray.

To initialize/reset, you will need to move the workstation to the lowest position by holding the DOWN button of the handswitch until the column reaches the lowest position. Then press the DOWN button again and hold it pressed for five seconds or until a slight movement of the workstation drops down to the machine zero point and back up to the operation zero point. Once the tray stops moving, release the DOWN button. If the button is released too early, this leads to a malfunction of the workstation and you must repeat the reset process.

The upper height position is programmed into the control box. For this reason, only use the control box that has been provided with the specific table frame. **Under no circumstance should a control box from one workstation be moved to another.**

HANDSWITCH OPERATION

By pressing the UP or DOWN buttons, the workstation will move up or down to the desired position. Once the desired position is reached, let go of the UP or DOWN button. The tray will stop once it reaches the lower or upper height position.

TROUBLESHOOTING

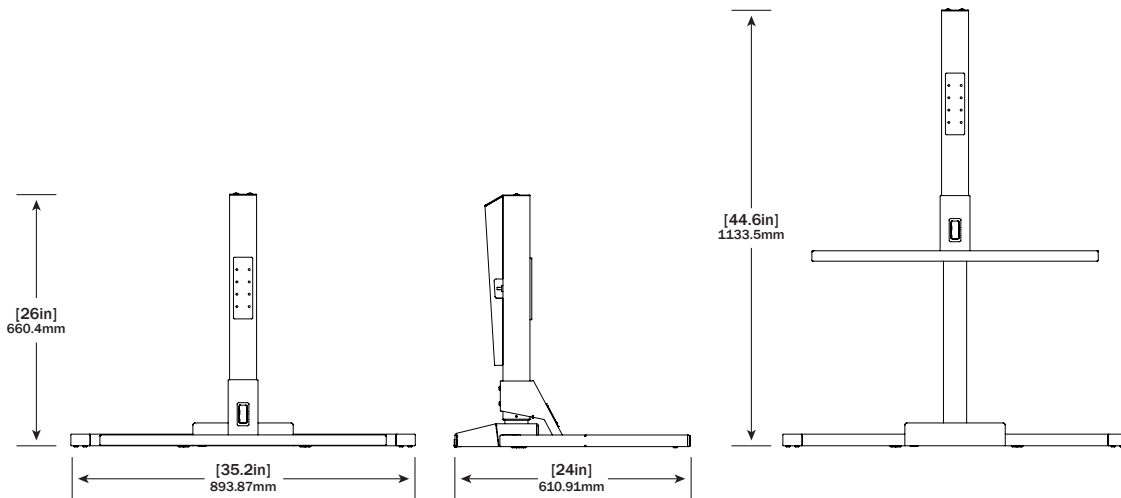
UNIT

ERROR	SOURCE	SOLUTION
Workstation does not move	No power supply	Plug in the power cord or check the connection on the control box
	No connection or a loose connection to the drives	Verify the plug connection of the motor cable to the control box
	No connection or a loose connection to the handswitch	Verify the plug connection of the motor cable to the control box
	Max lifting capacity is exceeded	Reduce the weight or load on the tray
	Max time limit is exceeded	Control is activated automatically after approx. 9 minutes
	Defective drive	Contact customer service
	Defective control box	Contact customer service
	Handset is defective	Replace the handset
Workstation moves down at a slow rate	Control box expects new reset	Reset control box. (See page 16)

If it is not possible to resolve an error as described, disconnect the power cord, wait a few minutes and reset the table again. If the error still occurs, remove the table from the power source and contact customer service. (Error Code list is valid from firmware 1.7.5 and higher)

TECHNICAL DATA

GENERAL CONTROL BOX	
Power supply	120 VAC ±10% / 60 Hz
Standby power consumption, primarily	<0.3 W
Operating temperature	0-35 °C
Protection class	IP 20
Maximum power output	216VA/24V
Maximum tray capacity	35 lb.
Stroke length	18.9"
Travel speed	1.5"/sec
Maximum monitor size compatibility	24" screens



CUSTOMER SERVICE

If you have any problems with your product, please contact our service department.

PHONE: 1-616-738-6688

FAX: 1-616-738-6682

STANDARDS & CERTIFICATIONS

The drive system is tested according to the following standards:

CSA C22.2#68

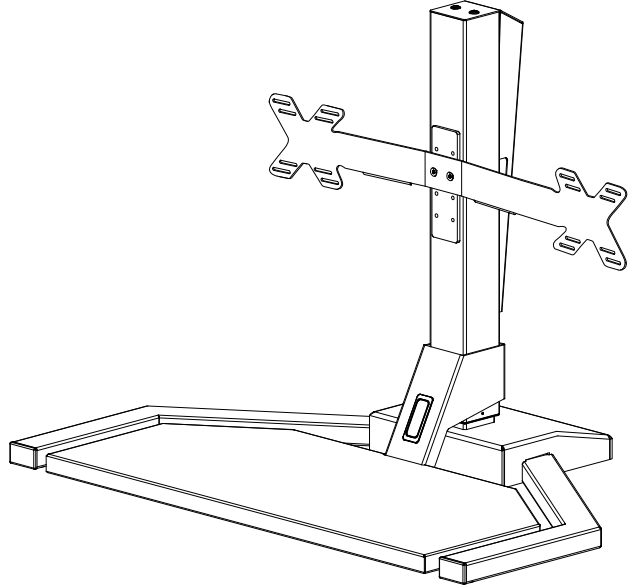
Issued: 2009/09/01 Ed: 7 (R2014)

Motor-Operated Appliances (Household and Commercial);

Gen. Inst. No.1: 2010, Gen. Inst. No.2: 2010

WARRANTY

CONTACT YOUR SALES REPRESENTATIVE FOR WARRANTY INFORMATION



OV1015 USER GUIDE

Part No. 84981