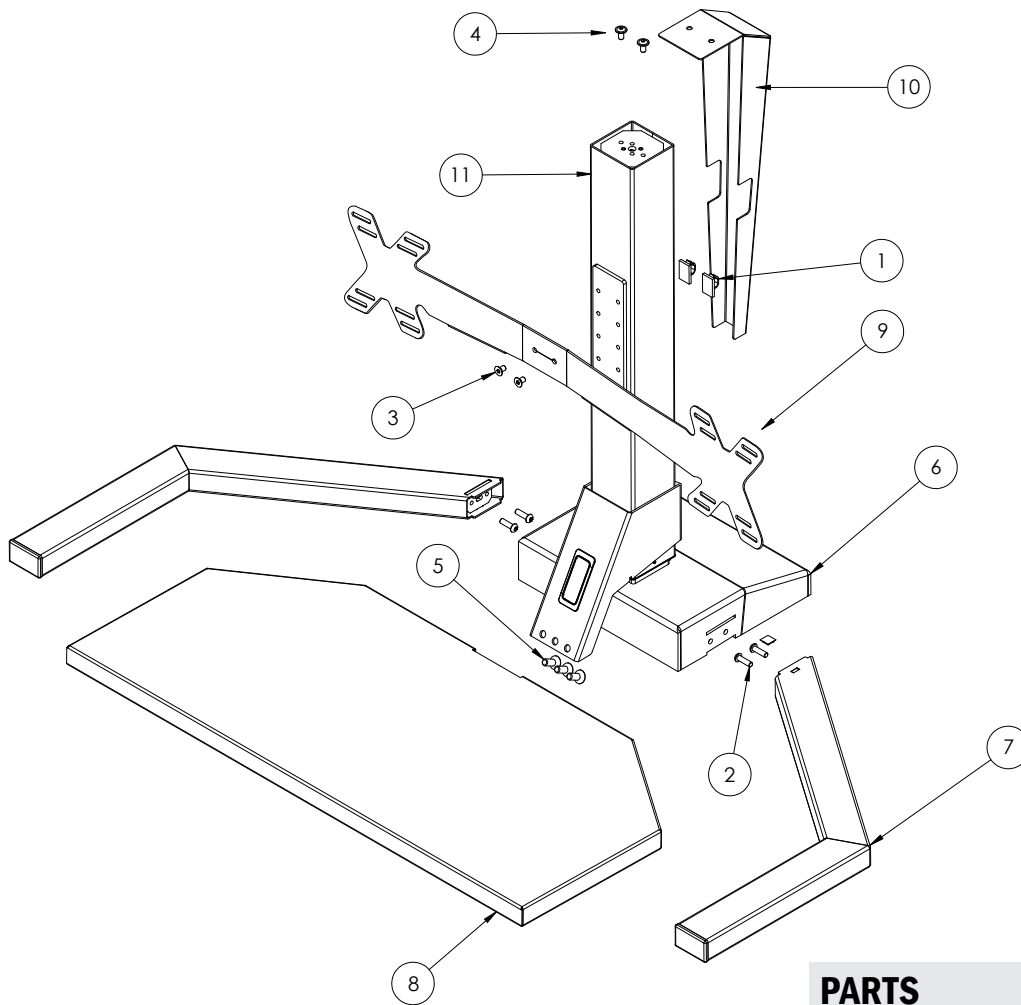


PARTS DIAGRAM



PARTS	Qty/Package
1. Clip Cord Manager	2
2. M6x1.0 20mm Button Head Screw	4
3. M6x1.0 10mm Flat Head Screw	2
4. M6x1.0 12mm Flange Button Head Screw	2
5. M8x1.25 20mm Flat Head Screw	3
6. Motor Box	1
7. Universal Desktop Angle Foot	2
8. Desktop Tray	1
9. Mounting Bracket	1
10. Wire Management Bracket	1
11. Column	1