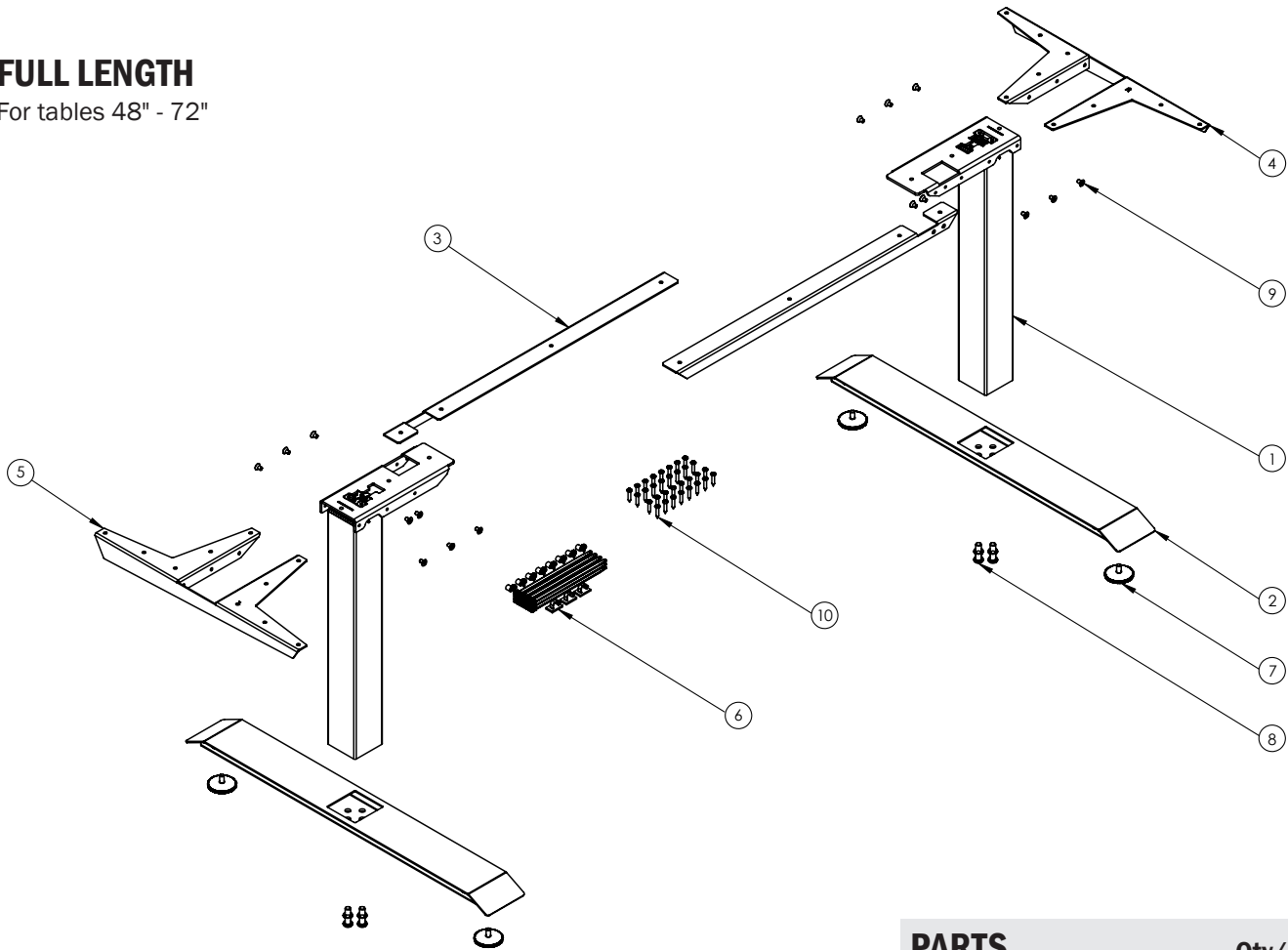


# PARTS DIAGRAM

## FULL LENGTH

For tables 48" - 72"



| PARTS                           | Qty/Package |
|---------------------------------|-------------|
| 1. Column                       | 2           |
| 2. Foot (24" or 30")            | 2           |
| 3. Support Rail                 | 2           |
| 4. Top Support-Right Hand       | 1           |
| 5. Top Support-Left Hand        | 1           |
| 6. Wire Management Kit          | 1           |
| 7. Glide                        | 4           |
| 8. M10 x 14mm Button Head Screw | 4           |
| 9. M6 x 10mm Flat Head Screw    | 20          |
| 10. #10 x 1" Wood Screw         | 34          |