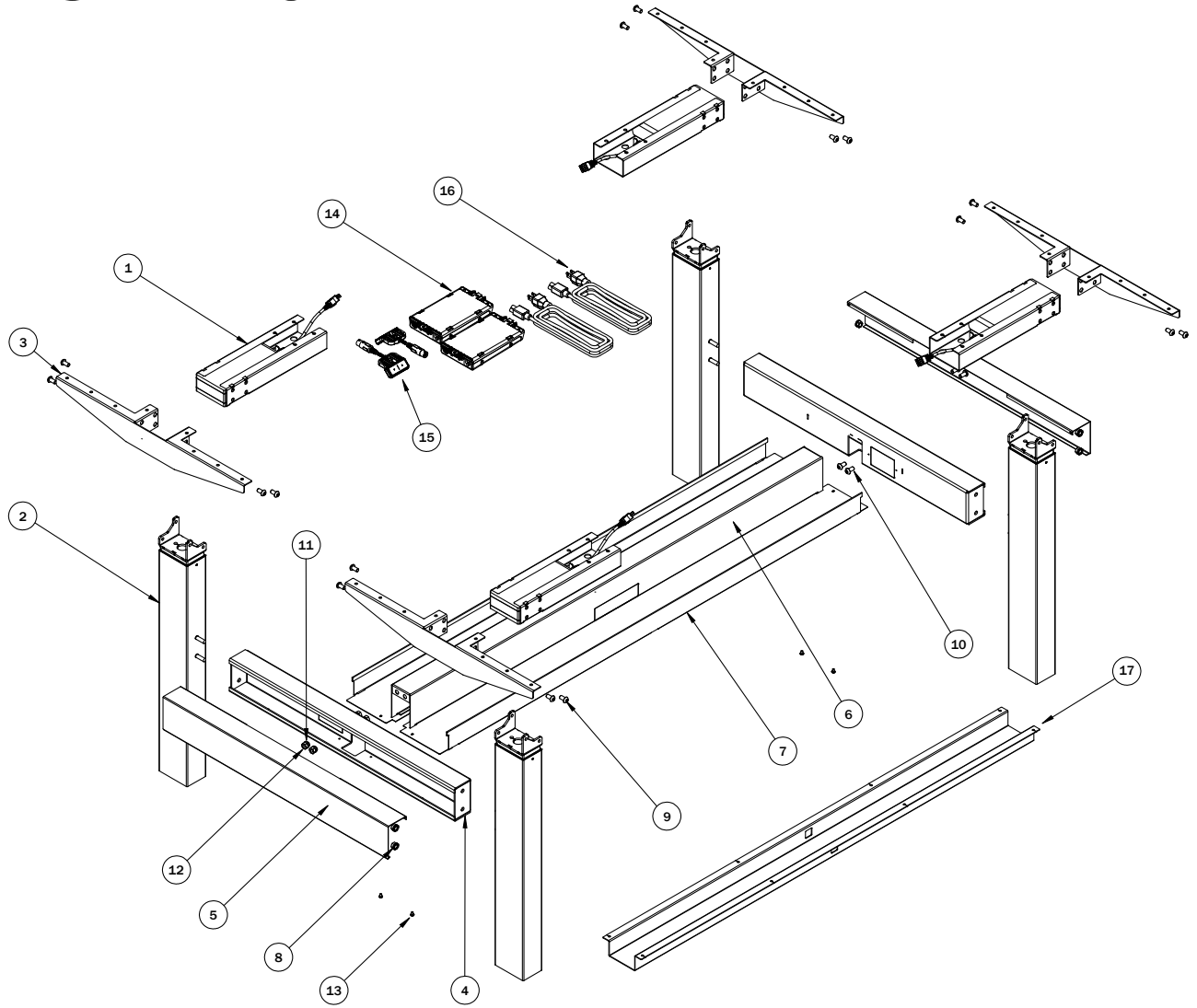


# PARTS DIAGRAM



PARTS		Qty/Package	Qty/Package	
1.	Independent Beam	4	10. M8-1.25x16mm Screw	4
2.	Column	4	11. M8 Split Washer	4
3.	Top Support	4	12. M8 Nut	4
4.	Ganging Bracket	2	13. M4-0.7x6mm Screw	4
5.	Cover	2	14. Control Box	2
6.	U-Channel	1	15. Handswitch	2
7.	Cable Tray	1	16. Power Cord	2
8.	M8-1.25 Tooth Lock Washer Nut	4	17. HAT Channel	2
9.	M8-15x12mm Screw	16		

*(for tables equal or greater than 72")*