

SIMPLYFAST™

The SimplyFast product line is made in the USA using world-class leading laser and steel manufacturing capabilities. Designed for modularity and speed, SimplyFast products have the shortest lead times in the industry. Competitive pricing allows for top quality product that's affordable on every budget.

Order what's needed, when it's needed and get it faster with consistent quality.

That's SimplyFast.

Product Specs

STRAIGHT COLUMN LEG

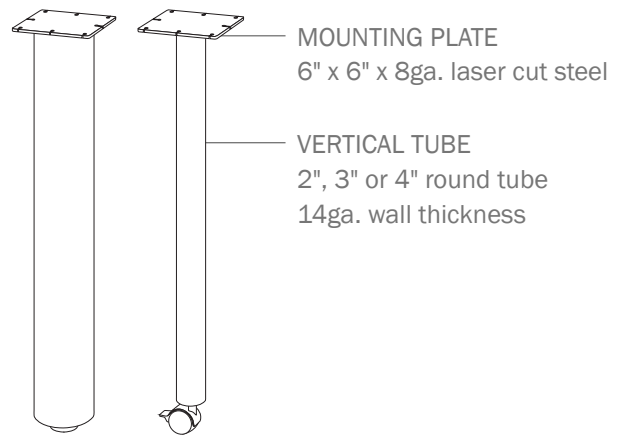
Features

- Seven-day lead time
- Fully welded construction
- Holds up to 125 lb per leg
- Robotically controlled weldments
- Packaged one per box

Whether your preference is for a slim, low-profile design or a wider and more substantial look, the Straight Column Leg boasts various options and sizes to fit your specific design requirements. Available in six color options with your choice of casters or glides. BIFMA tested and approved, add your own worksurface to personalize. American quality, lean manufacturing and state-of-the-art equipment produced to order...SimplyFast!

PRODUCT DETAILS

SIZES 27¾" standard base height



OPTIONS

FOOT OPTIONS



2" Locking Caster



2" Polymer Glide

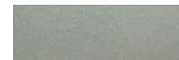
COLOR OPTIONS



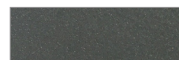
Black



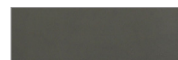
Designer White



Metallic Silver



Gunmetal



Medium Tone



Chalk

WARRANTY INFORMATION

Ten Years Structural components such as beams, feet and top supports.

SIMPLYFAST

11511 James Street • Holland, MI 49424 • 616.795.4868 • simply-fast.com

Terms of Use: The user is responsible for determining the suitability of OMT-Veyhl products for specific applications. ©OMT-Veyhl 2017



v 031717