



## SIMPLYFAST™

The SimplyFast product line is made in the USA using world-class leading laser and steel manufacturing capabilities. Designed for modularity and speed, SimplyFast products have the shortest lead times in the industry. Competitive pricing allows for top quality product that's affordable on every budget.

Order what's needed, when it's needed and get it faster with consistent quality.

*That's SimplyFast.*

### Product Specs

# TUBE LEG C Configuration

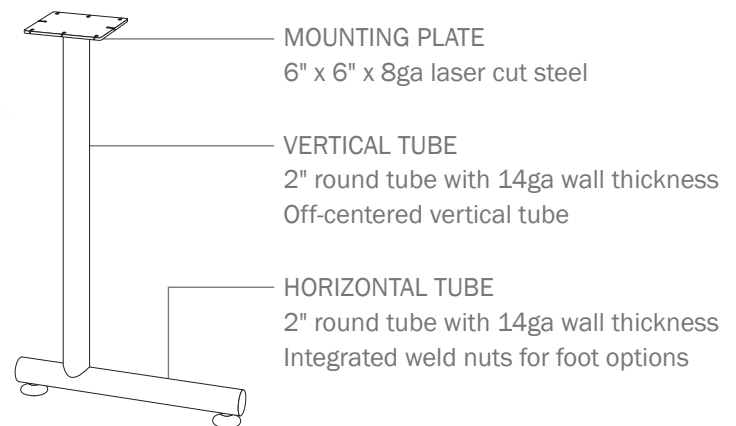
### Features

- Seven-day lead time
- Fully welded construction
- Holds up to 125 lb per leg
- Color-matched metal end caps
- Robotically controlled weldments
- Packaged two per box

An alternative to the classic T leg, this C Configuration product line will create just the right aesthetic for your standard height tables. Available in six color options and your choice of casters or glides. BIFMA tested and approved, add your own worksurface to personalize. American quality, lean manufacturing and state-of-the-art equipment produced to order...SimplyFast!

## PRODUCT DETAILS

### SIZES

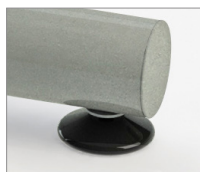


## OPTIONS

### FOOT OPTIONS



2" Locking Caster  
*Not available in 18"*



2" Polymer Glide

### COLOR OPTIONS



### WARRANTY INFORMATION

Ten Years Structural components such as beams, feet and top supports.

**SIMPLY***FAST*

11511 James Street • Holland, MI 49424 • 616.795.4868 • simply-fast.com

**Terms of Use:** The user is responsible for determining the suitability of OMT-Veyhl products for specific applications. ©OMT-Veyhl 2017



v 040517