



SIMPLYFAST™

The SimplyFast product line is made in the USA using world-class leading laser and steel manufacturing capabilities. Designed for modularity and speed, SimplyFast products have the shortest lead times in the industry. Competitive pricing allows for top quality product that's affordable on every budget.

Order what's needed, when it's needed and get it faster with consistent quality.

That's SimplyFast.

Product Specs

TUBE LEG X-Base Configuration

Features

- Seven-day lead time
- Modular construction
- Holds up to 125 lb
- Color-matched metal end caps
- Packaged knock down
- Easy assembly

Complete your work environment with the classic X-Base. The third offering in our Tube Leg product line, the X-Base is available in six color options and glide feet. BIFMA tested and approved, add your own worksurface to personalize. American quality, lean manufacturing and state-of-the-art equipment produced to order...SimplyFast!

PRODUCT DETAILS

SIZES



24" Base Width
Maximum Table
Size: 24"

Round or Square
42" standard
base height



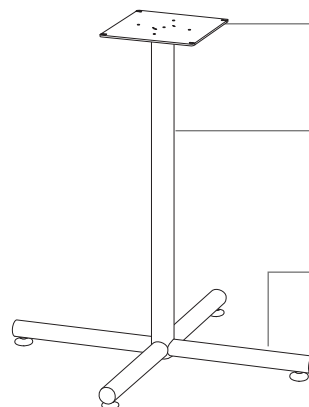
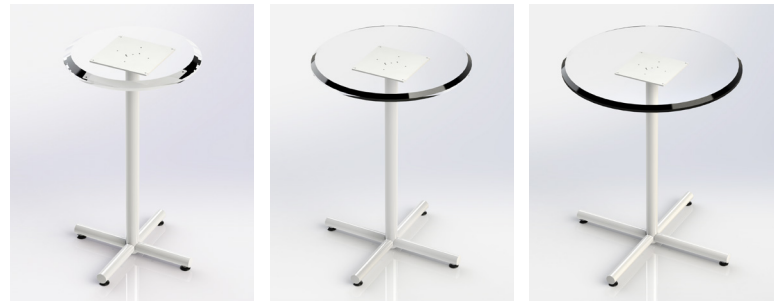
30" Base Width
Maximum Table
Size: 30"

Round or Square
42" standard
base height



36" Base Width
Maximum Table
Size: 36"

Round or Square
42" standard
base height



MOUNTING PLATE
11" x 11" x 1/4" laser cut steel

VERTICAL TUBE
2.5" round tube with 12ga wall thickness
Centered vertical tube

HORIZONTAL TUBE
2" round tube with 14ga wall thickness
Integrated weld nuts for foot options
Welded nesting plate for easy assembly

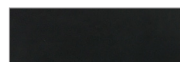
OPTIONS

FOOT OPTIONS

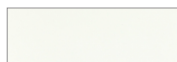


2" Polymer Glide

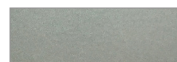
COLOR OPTIONS



Black



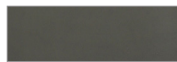
Designer White



Metallic Silver



Gunmetal



Medium Tone



Chalk

WARRANTY INFORMATION

Ten Years Structural components such as beams, feet and top supports.

SIMPLYFAST.

11511 James Street • Holland, MI 49424 • 616.795.4868 • simply-fast.com

Terms of Use: The user is responsible for determining the suitability of SimplyFast products for specific applications. ©SimplyFast 2017



v 122017