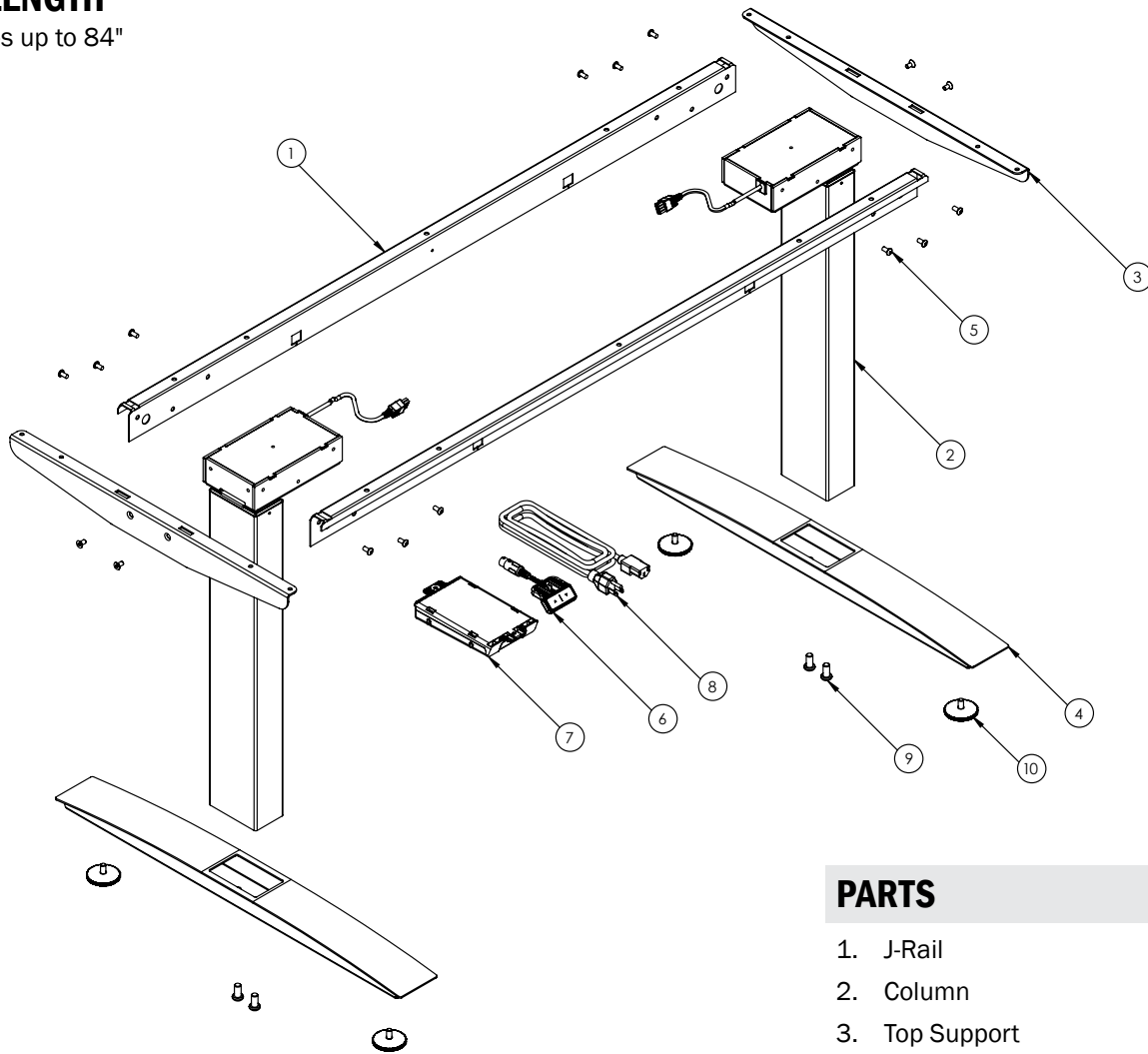


# PARTS DIAGRAM

## FULL LENGTH

For tables up to 84"

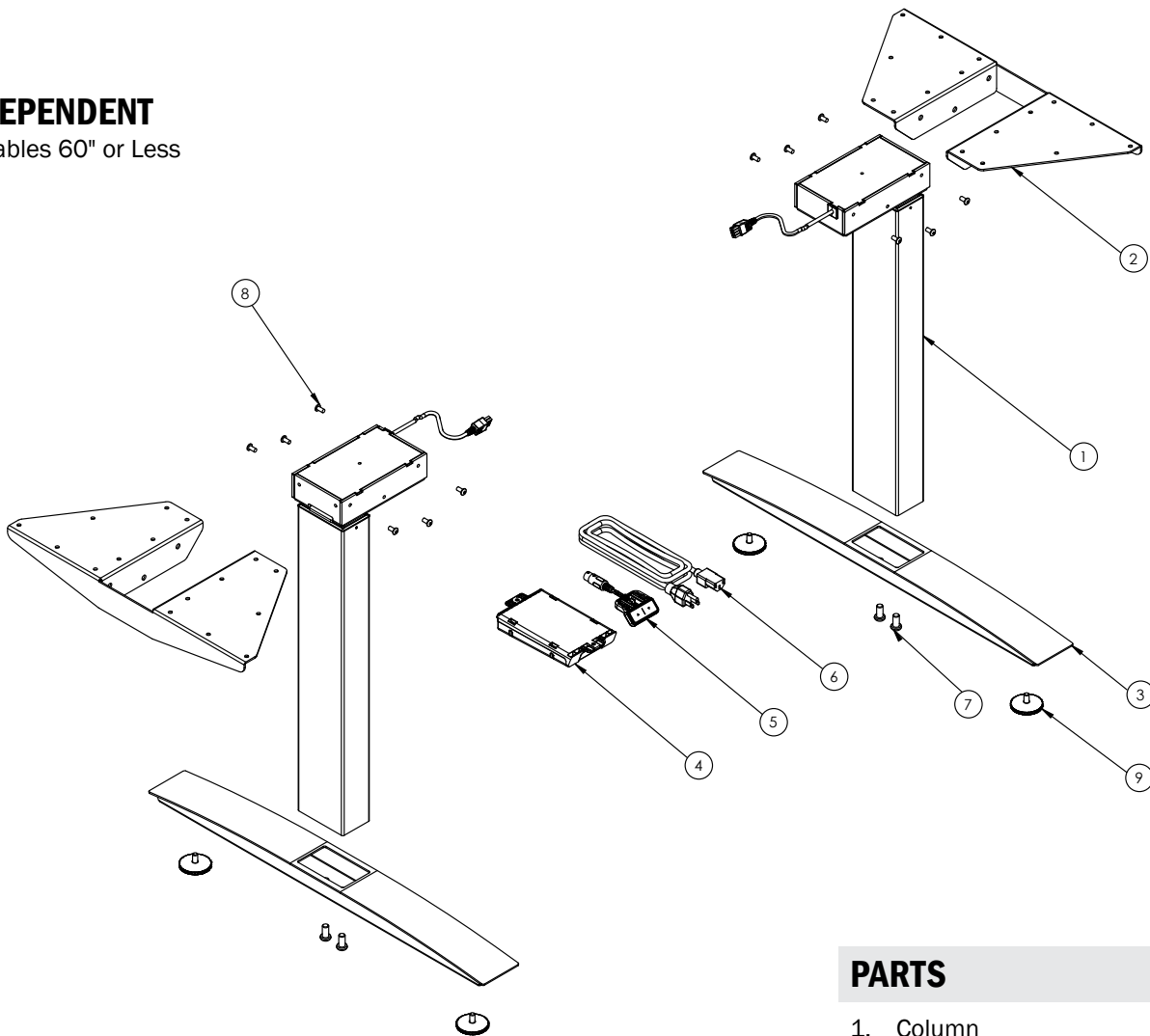


PARTS	Qty/Package
1. J-Rail	2
2. Column	2
3. Top Support	2
4. Foot	2
5. M6x1.0 12mm Screw	16
6. Handswitch	1
7. Control Box	1
8. Power Cord	1
9. M10x1.5 20mm Screw	4
10. Glide	4

# PARTS DIAGRAM

## INDEPENDENT

For tables 60" or Less



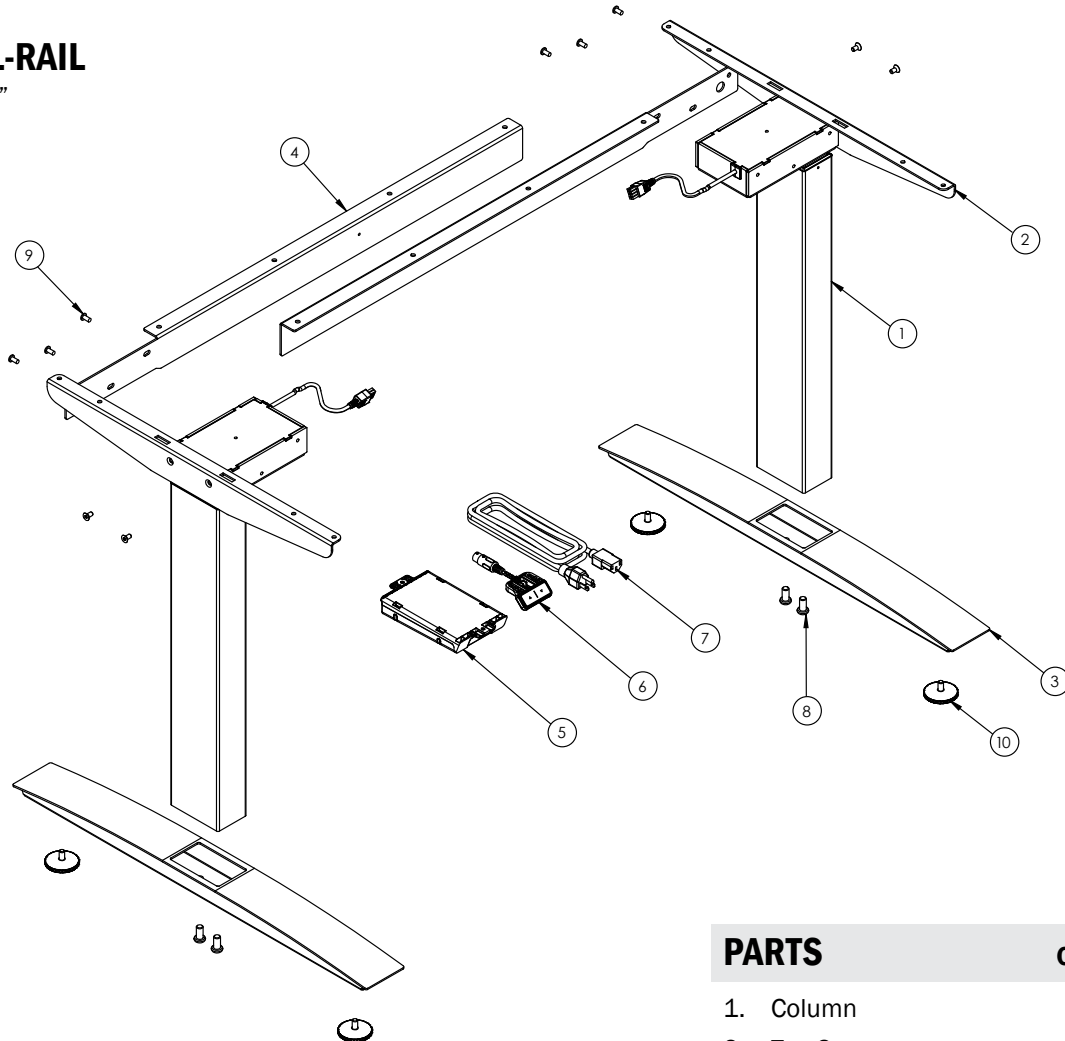
PARTS		Qty/Package
-------	--	-------------

1.	Column	2
2.	Top Support	2
3.	Foot	2
4.	Control Box	1
5.	Handswitch	1
6.	Power Cord	1
7.	M10x1.5 20mm Screw	4
8.	M6x1.0 12mm Screw	12
9.	Glide	4

# PARTS DIAGRAM

## ADJUSTABLE L-RAIL

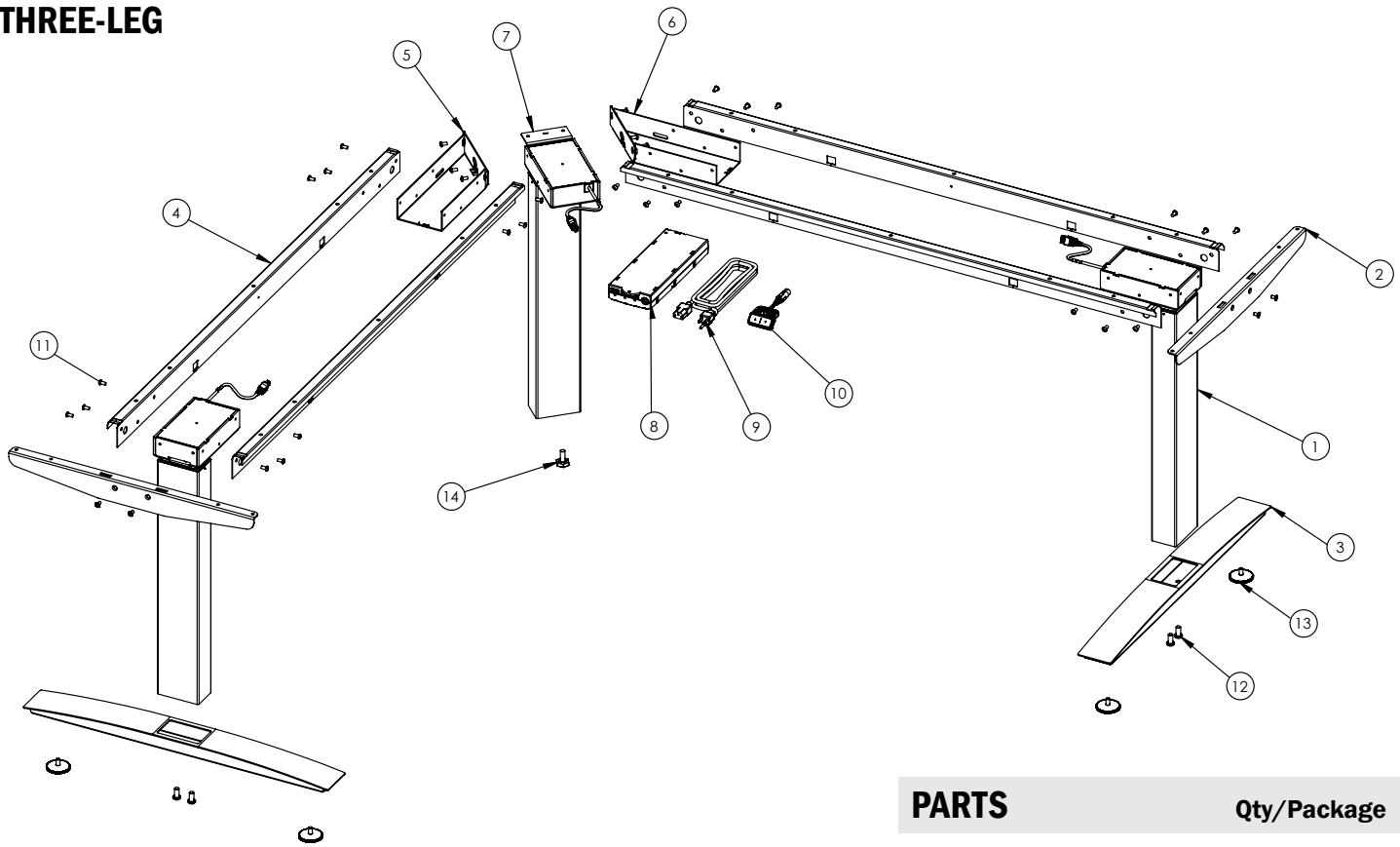
For tables up to 84"



PARTS		Qty/Package
1.	Column	2
2.	Top Support	2
3.	Foot	2
4.	Adjustable L-Rail	2
5.	Control Box	1
6.	Handswitch	1
7.	Power Cord	1
8.	M10x1.5 20mm Screw	4
9.	M6x1.0 12mm Screw	10
10.	Glide	4

# PARTS DIAGRAM

## THREE-LEG



PARTS	Qty/Package
-------	-------------

1. Column	3
2. Top Support	2
3. Foot	2
4. J-Rail	4
5. Left Hand Adapter Bracket	1
6. Right Hand Adapter Bracket	1
7. Third Leg Bracket	1
8. Control Box	1
9. Power Cord	1
10. Handswitch	1
11. M6x1.0 12mm Screw	36
12. M10x1.5 20mm Screw	4
13. Glide	4
14. Hex Leveler	1