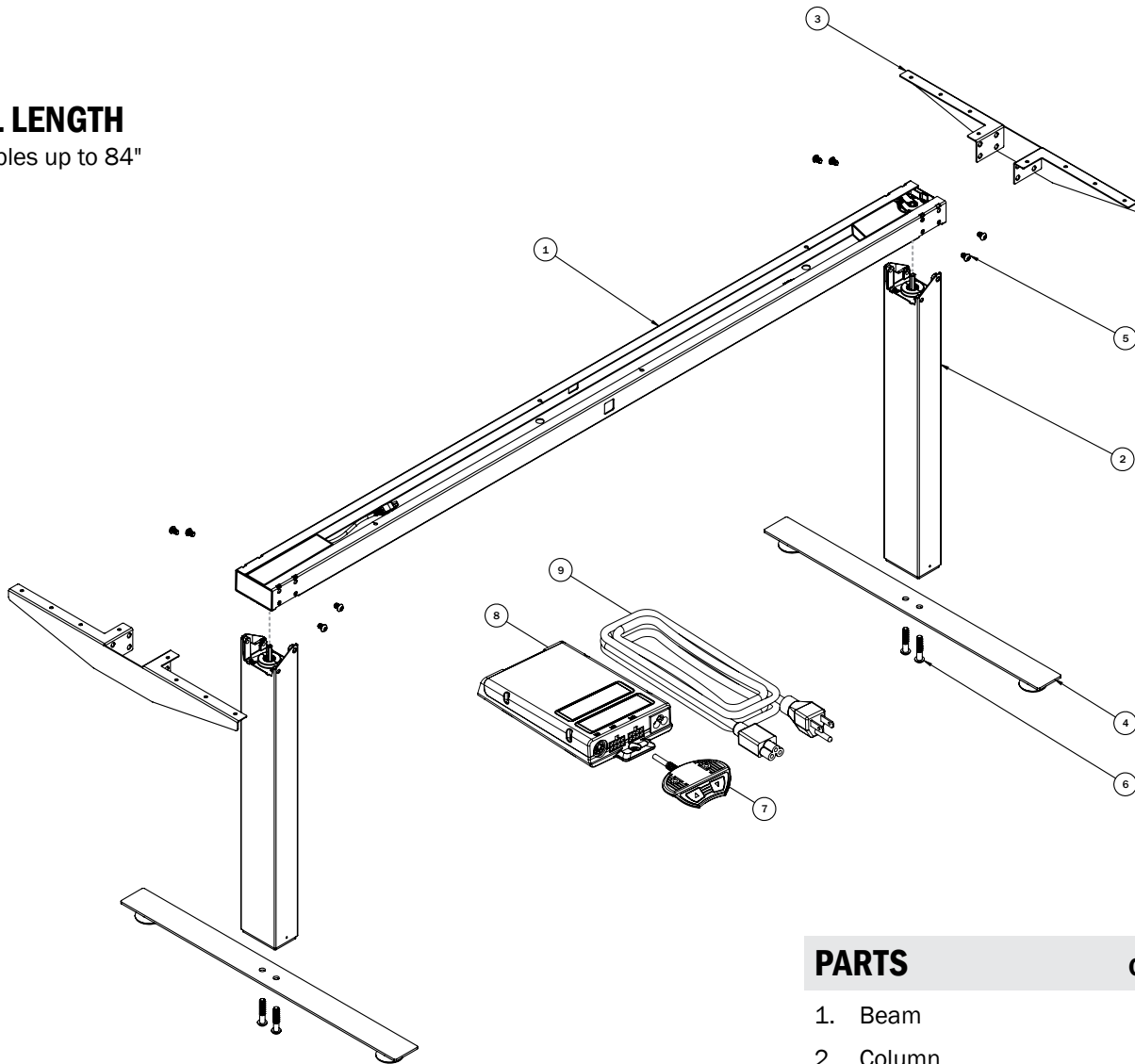


PARTS DIAGRAM

FULL LENGTH

For tables up to 84"

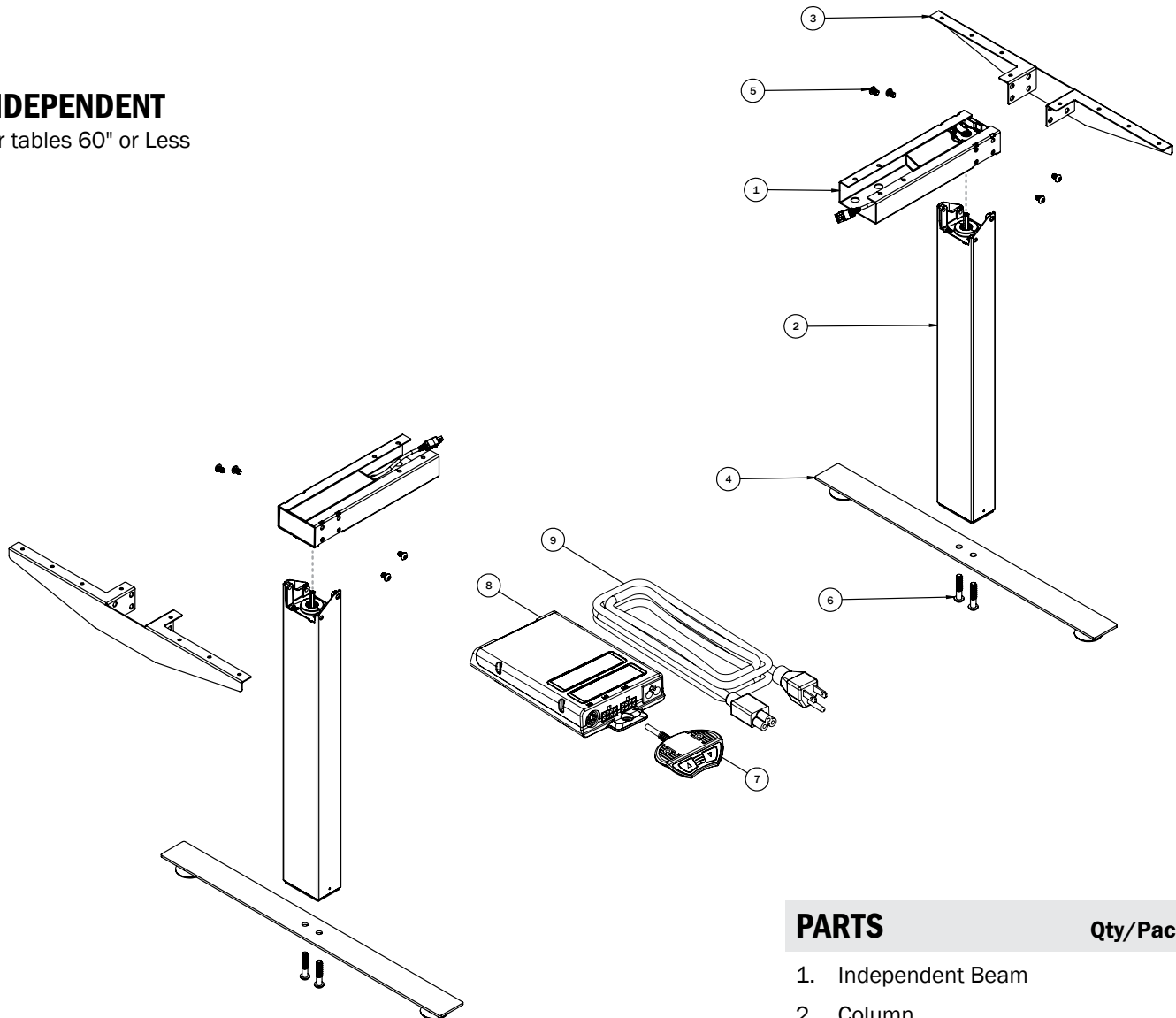


PARTS	Qty/Package
1. Beam	1
2. Column	2
3. Top Support	2
4. Foot	2
5. M8x1.25 12mm Screw	8
6. M10x1.5 50mm Screw	4
7. Handswitch	1
8. Control Box	1
9. Power Cord	1

PARTS DIAGRAM

INDEPENDENT

For tables 60" or Less



PARTS

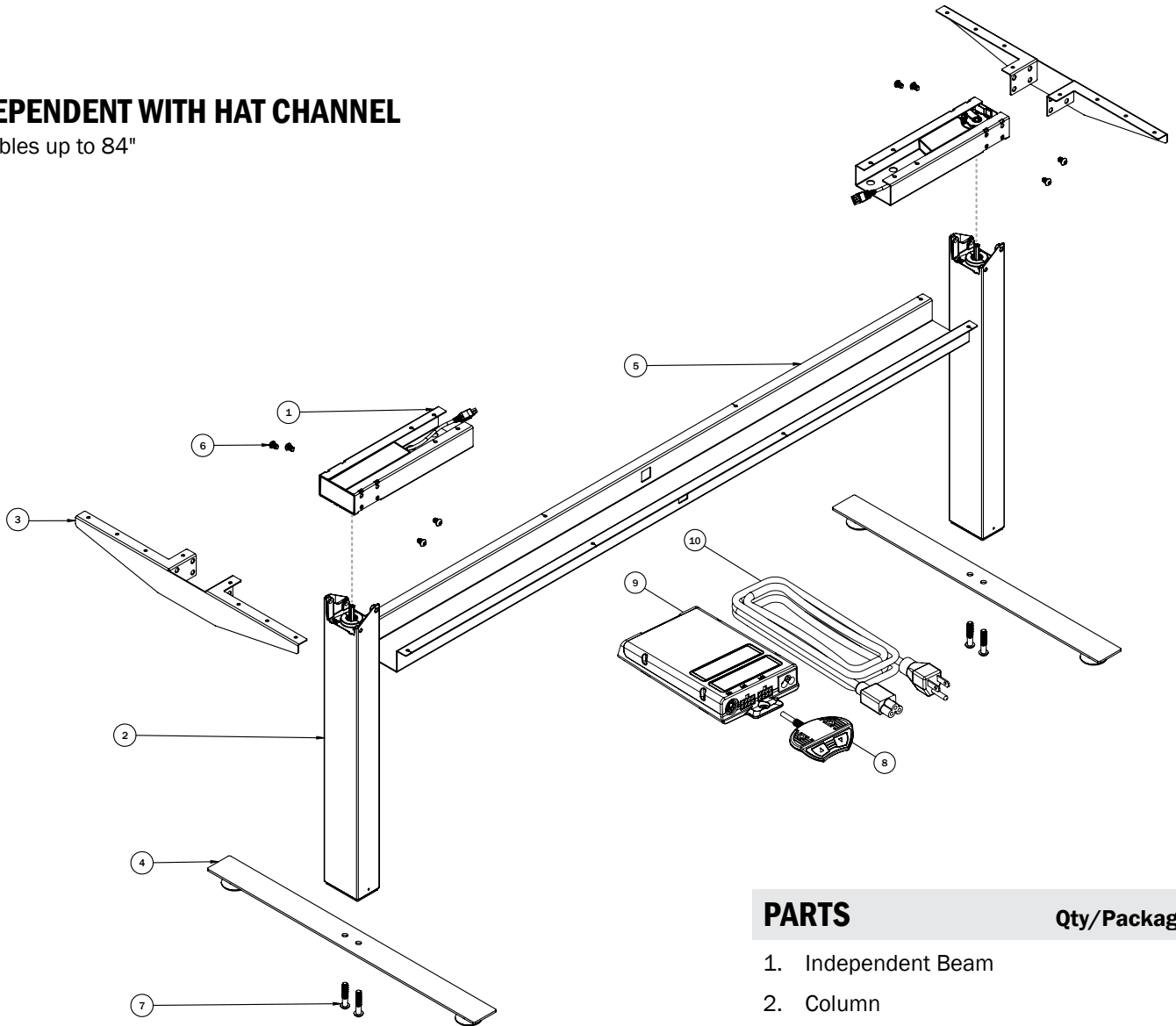
Qty/Package

1.	Independent Beam	2
2.	Column	2
3.	Top Support	2
4.	Foot	2
5.	M8x1.25 12mm Screw	8
6.	M10x1.5 50mm Screw	4
7.	Handswitch	1
8.	Control Box	1
9.	Power Cord	1

PARTS DIAGRAM

INDEPENDENT WITH HAT CHANNEL

For tables up to 84"



PARTS

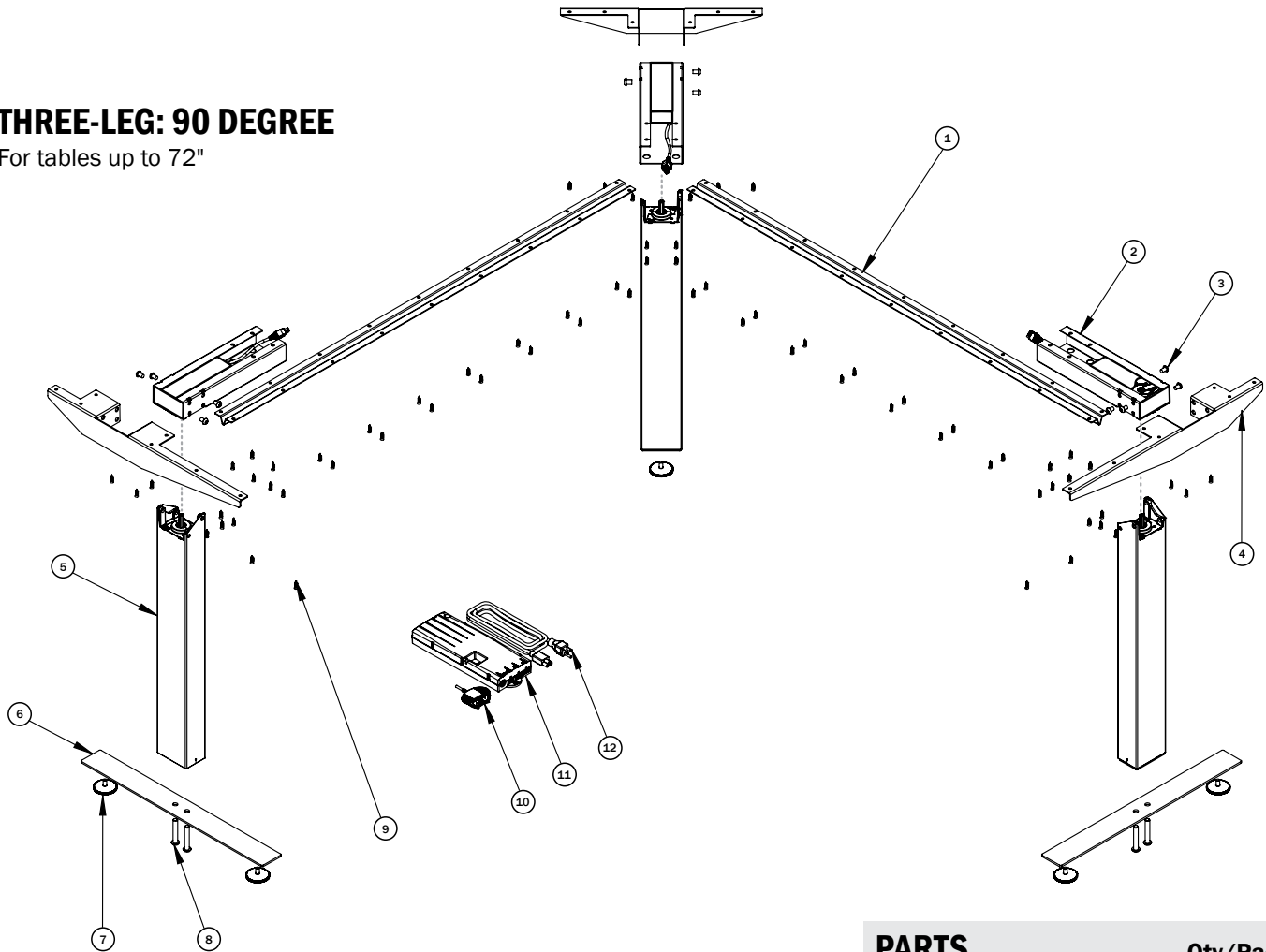
Qty/Package

1.	Independent Beam	2
2.	Column	2
3.	Top Support	2
4.	Foot	2
5.	HAT Channel	1
6.	M8x1.25 12mm Screw	8
7.	M10x1.5 50mm Screw	4
8.	Handswitch	1
9.	Control Box	1
10.	Power Cord	1

PARTS DIAGRAM

THREE-LEG: 90 DEGREE

For tables up to 72"



PARTS

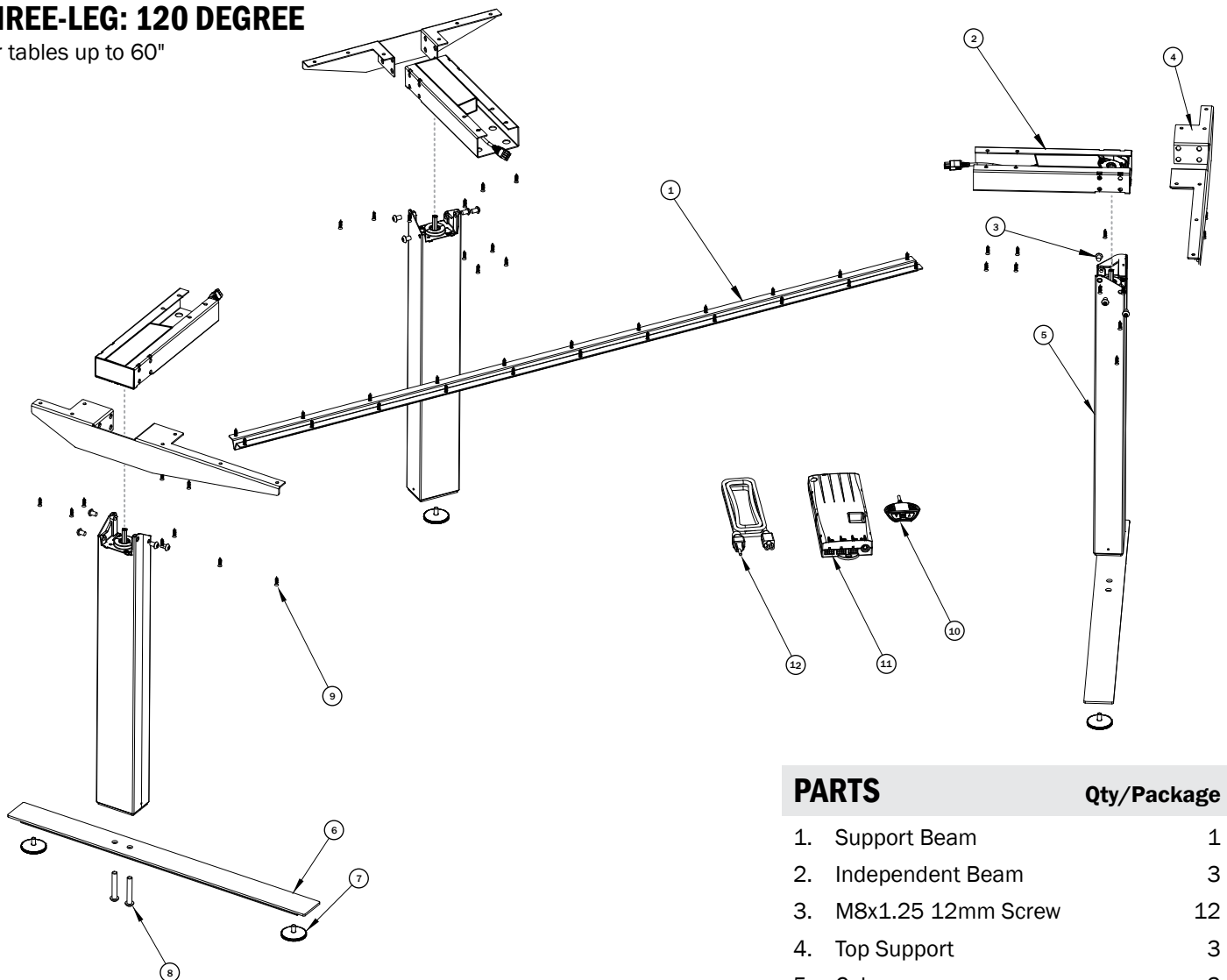
Qty/Package

1.	Support Beam	2
2.	Independent Beam	3
3.	M8x1.25 12mm Screw	12
4.	Top Support	3
5.	Column	3
6.	Foot	3
7.	Glide	5
8.	M10x1.5 50mm Screw	12
9.	#8-15 3/4" Screw	69
10.	Handswitch	1
11.	Control Box	1
12.	Power Cord	1

PARTS DIAGRAM

THREE-LEG: 120 DEGREE

For tables up to 60"



PARTS	Qty/Package
-------	-------------

1. Support Beam	1
2. Independent Beam	3
3. M8x1.25 12mm Screw	12
4. Top Support	3
5. Column	3
6. Foot	3
7. Glide	6
8. M10x1.5 50mm Screw	12
9. #8-15 3/4" Screw	56
10. Handswitch	1
11. Control Box	1
12. Power Cord	1