

ORDERING A BENCH FROM THE STANDARD SOL

When ordering a single Back-to-Back (B2B) Pod, you need the following:

1. B2B COLUMN KIT (2)

Choose your column (Electric, Crank, etc.)

- SSE
 DSE

2. DEPTH SUPPORT KIT (1)

This will define the depth of worksurface (24" or 30")

- 24"
 30"

3. CABLE TRAY KIT (1)

This (along with the J-Channels) will define the length of the worksurface (36"-84")

- 60"
 72"
 84"

4. DEPTH SUPPORT COVER KIT (2)

You will need one of these for the end of every run of pods (24" or 30")

- 24"
 30"

5. J-CHANNEL KIT (2)

Order a Standard J-Channel Kit to be the **same size** as the Cable Tray (ex. a 60" Cable Tray will use a 60" J-Channel Kit).

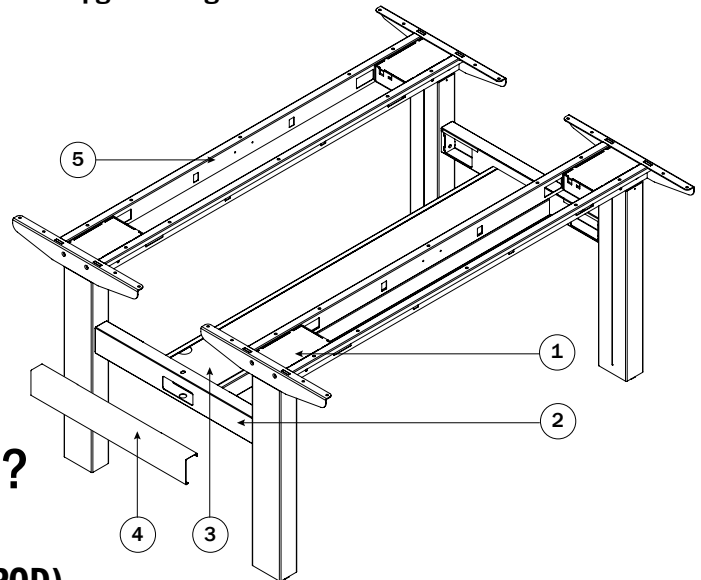
Please note: order a Crank J-Channel Kit if you are ordering Crank Columns.

- 60"
 72"
 84"

6. HANDSWITCH UPGRADES (2) OPTIONAL

Each pod comes with two standard up/down switches.

- Programmable
 Upgrade Programmable



ORDERING MULTIPLE PODS?

You will also need to order:

SIDE-BY-SIDE CONNECTOR KIT (1 PER POD)

SEE SOL FOR PRICING

OR CALL SALES AT 616-738-6688



11511 James Street • Holland, MI 49424 • 616.738.6688 • omt-veyhl.com

Terms of Use: The user is responsible for determining the suitability of OMT-Veyhl products for specific applications. © OMT-Veyhl 2017

v 082917