



## SIMPLYFAST™

The SimplyFast product line is made in the USA using world-class leading laser and steel manufacturing capabilities. Designed for assembly speed, SimplyFast products have the shortest lead times in the industry. Competitive pricing allows for top quality product that's affordable on every budget.

Order what's needed, when it's needed and get it faster with consistent quality.

**That's SimplyFast.**

### Product Specs

# TUBE LEG Double T Configuration

### Features

- Seven-day lead time
- One-piece construction
- Holds up to 125 lb per leg
- Color-matched metal end caps
- Easy assembly

Part of our Tube Leg product line, the Double T legs are a contemporary twist on our existing T-Legs, and are available in six color options with glide or caster feet. BIFMA tested and approved, add your own worksurface to personalize. American quality, lean manufacturing and state-of-the-art equipment produced to order...SimplyFast!

## PRODUCT DETAILS

### SIZES



**32" Base Width**  
Maximum Table Size: 34"  
42" standard base height  
Mounting Plate: 6" x 22.25"



**36" Base Width**  
Maximum Table Size: 40"  
42" standard base height  
Mounting Plate: 6" x 26.25"



**42" Base Width**  
Maximum Table Size: 48"  
42" standard base height  
Mounting Plate: 6" x 32.25"

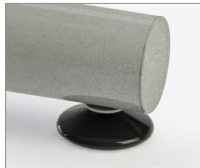


## OPTIONS

### FOOT OPTIONS

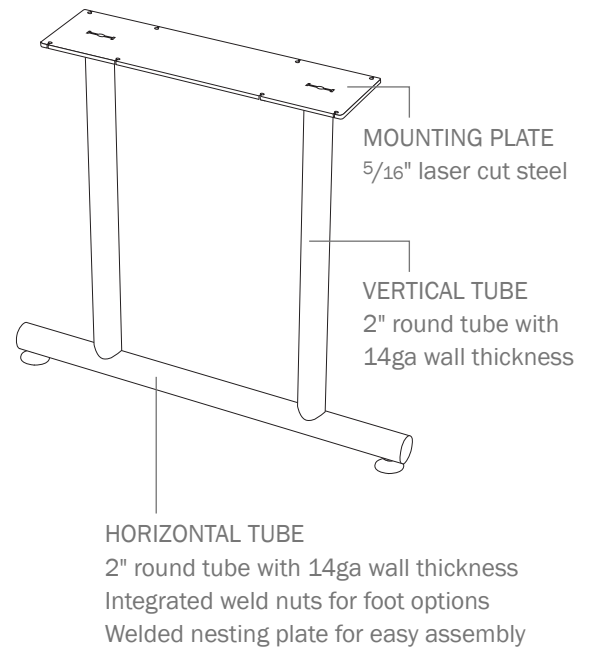
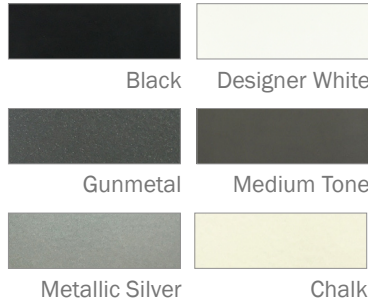


2" Locking Caster



2" Polymer Glide

### COLOR OPTIONS



### WARRANTY INFORMATION

Ten Years Structural components such as beams, feet and top supports.

**SIMPLYFAST.**

11511 James Street • Holland, MI 49424 • 616.795.4868 • simply-fast.com

Terms of Use: The user is responsible for determining the suitability of SimplyFast products for specific applications. ©SimplyFast 2018



v 022618