

ASSEMBLY INSTRUCTIONS: X-BASE

The assembly of the table to be made in accordance with these instructions. Changes to the table frame or improper use may affect the safety, function, and life of your product.

These instructions are for installation of the following SimplyFast products: X-Base

1 MARK THE CENTER ON THE UNDERSIDE OF THE WORKSURFACE

2 CENTER THE MOUNTING PLATE ON THE WORKSURFACE

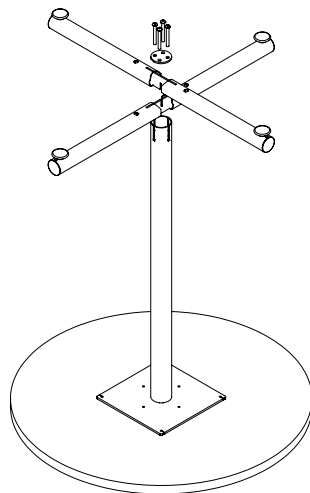
3 INSTALL THE SCREW THROUGH THE MOUNTING PLATE AND INTO THE TOP

Be sure to use approved screws per the table top supplier.

4 ASSEMBLE THE FOOT TO THE COLUMN

Install the four (4) M8 button head screws through the bottom of the foot and into the threaded holes in the bottom of the column. Be sure to nest the upper foot into the column first, followed by the lower foot, and then the end cap.

NOTE: Do not drive the screws into the column with a drill or impact driver without first starting the screws by hand.



Maximum Worksurface Dimensions:

24" Leg – 24" Worksurface

30" Leg – 30" Worksurface

36" Leg – 36" Worksurface

Terms of Use: The user is responsible for determining the suitability of SimplyFast products for specific applications.