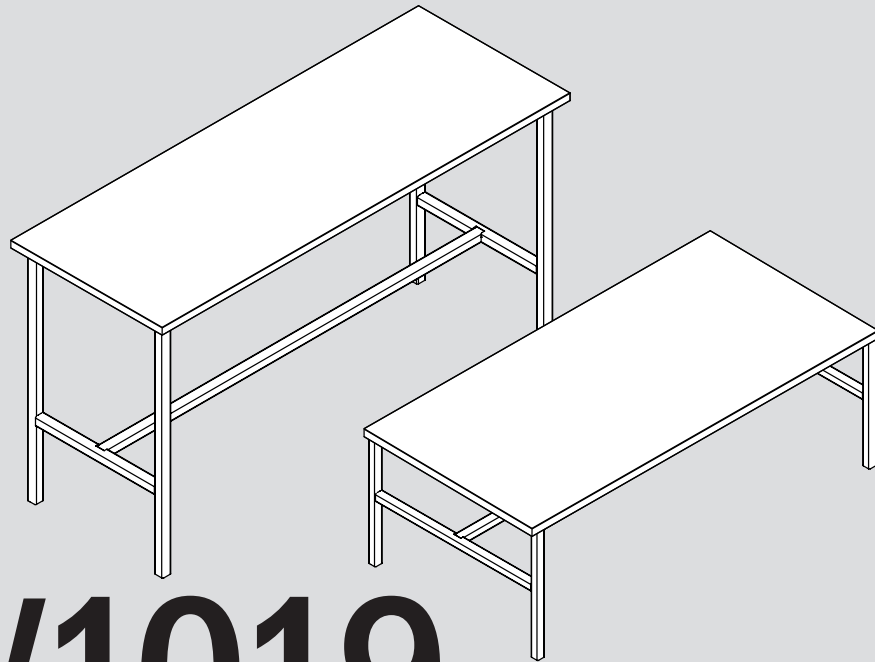


OV1019 | Part No. 105549



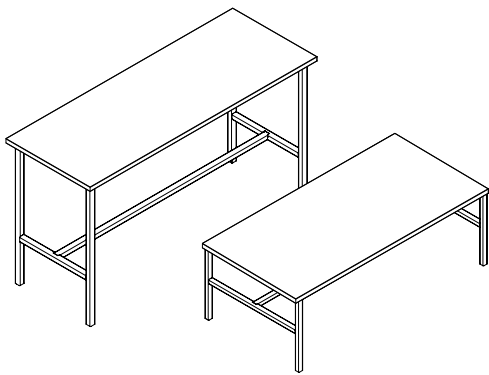
OV1019

OCCASIONAL TABLES

USER GUIDE

OV1019

OCCASIONAL TABLES



Our OV1019 family of occasional tables offers easy assembly with minimal tools, an affordable price point, and an adaptable style that can make itself at home in just about any environment. Add your own work surface to personalize.

Well-made and versatile, the OV1019 tables are immensely strong and stable. Each one is constructed from 1" square steel tubing and powder coated for easy care. Made to the highest quality standards and manufactured in the USA.

FEATURES

- Four table styles
- Meets BIFMA X5.5 standards
- Easy assembly
- Knock-down shipping
- Over 150 color options

TABLE OF CONTENTS

Parts Diagram	4
Console & Coffee Table Base	4
Safety Information	5
Assembly Instructions	6-7

STANDARDS & CERTIFICATIONS

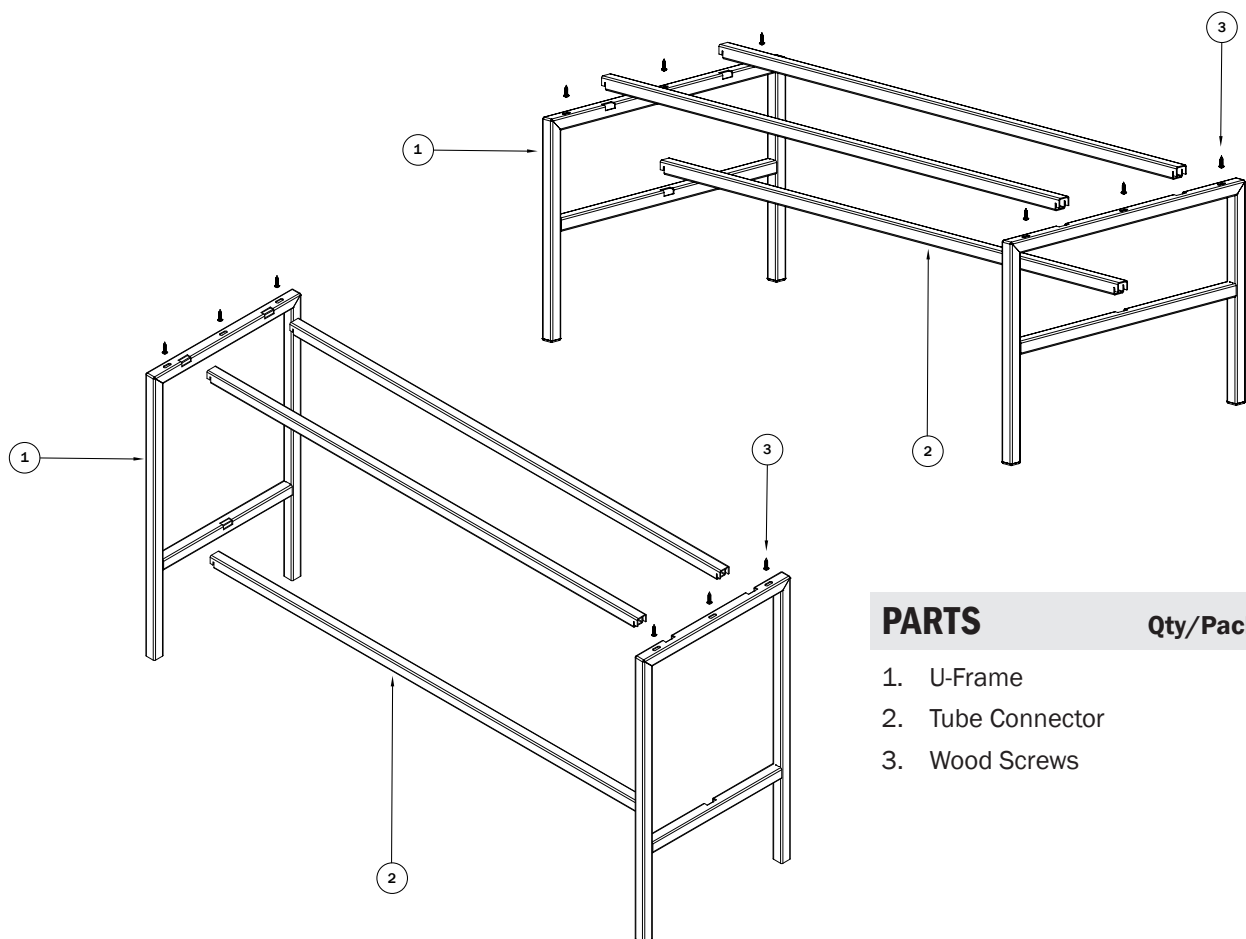
Meets 2014 BIFMA X5.5 standards.

WARRANTY

Contact your sales representative for warranty information.

OV1019

PARTS DIAGRAM

**PARTS****Qty/Package**

- | | |
|-------------------|---|
| 1. U-Frame | 2 |
| 2. Tube Connector | 3 |
| 3. Wood Screws | 6 |

SAFETY INFORMATION

IMPORTANT SAFETY INSTRUCTIONS *Save these instructions.*

INSTALL ONLY APPROVED WORK SURFACES

This table system does not include a work surface (table top). Maximum load for table is 150 lb, including work surface. Maximum table top overhang is 4" around the perimeter. If you are unsure if your preferred table top meets specifications, contact customer service.

DO NOT OVERLOAD TABLE

To prevent table from tipping or collapsing, make sure the table frame is not overloaded by the weight of table top and objects on table. Evenly distribute load; excess loads near edges can reduce stability and cause table to tip over.

- Do not exceed maximum load (including weight of table top) of 150 lb (68Kg)
- Do not sit or stand on table

USE CARE WHEN MOVING TABLE

- Remove all objects from the table before moving
- Clear objects and equipment from table before rolling to reduce the risk of tipping over

ASSEMBLY INSTRUCTIONS

The assembly of the table frame to be made in accordance with this manual. Changes to the table frame or improper use may affect the safety, function, and life of your product.

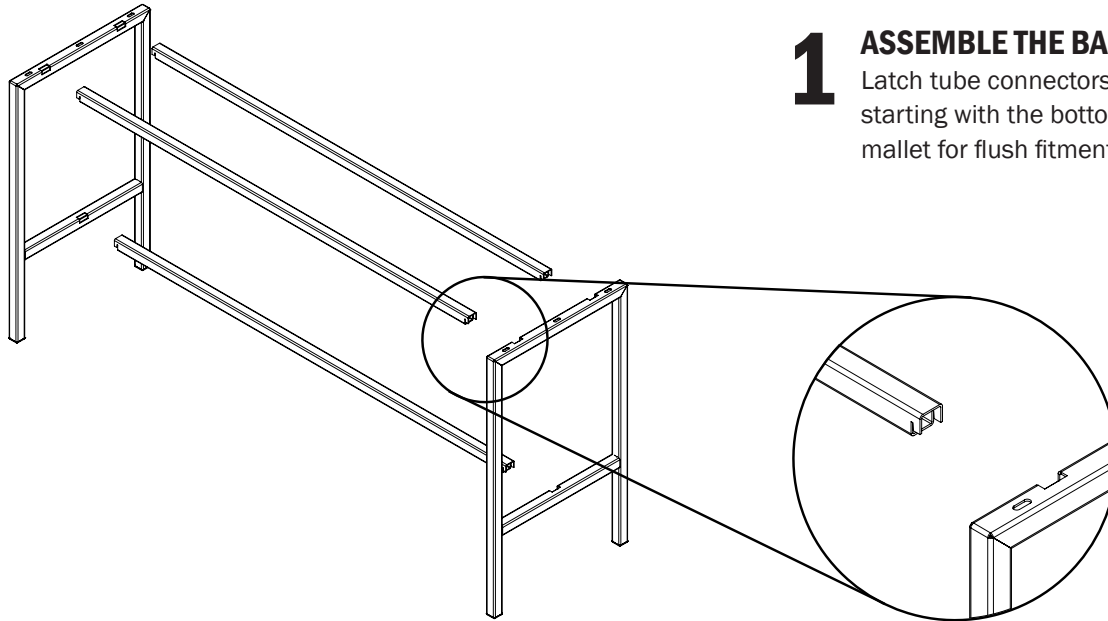
This manual applies to the following table bases: Console Table, Coffee Table.

ASSEMBLY OVERVIEW

1. Assemble the base
2. Install the frame to the table top

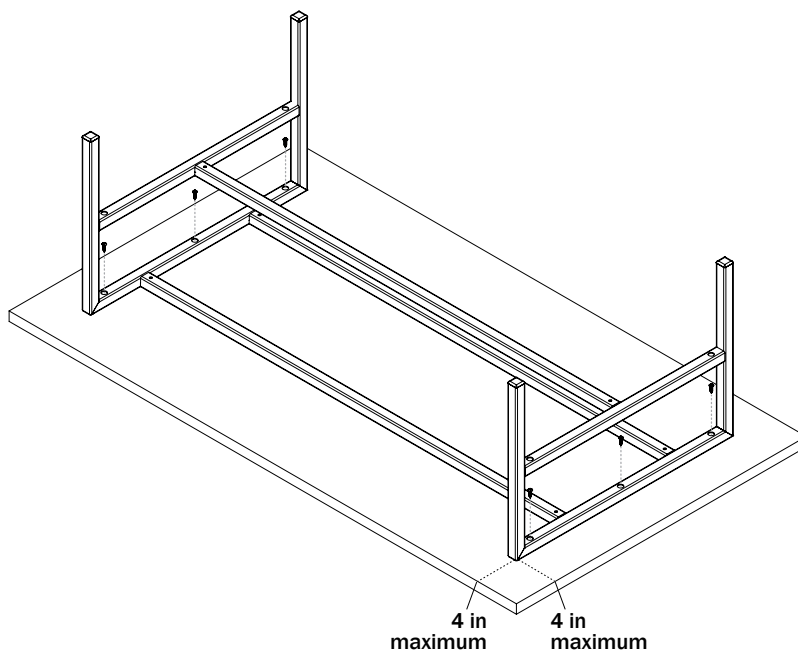


End of life cycle: Once product is disassembled, all steel components can be recycled at your local metal collector. For products with electronic components, see Disassembly Guide.



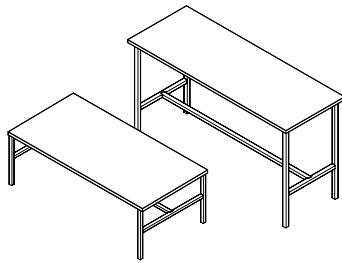
1 ASSEMBLE THE BASE

Latch tube connectors onto end frames starting with the bottom tube. Use rubber mallet for flush fitment.



2 INSTALL THE FRAME TO THE TABLE TOP

Center the table frame before mounting table top. Table top overhang should not be more than 4". **Be sure to use approved screws per the table top supplier.**



OV1019

USER GUIDE

Part No. 105549