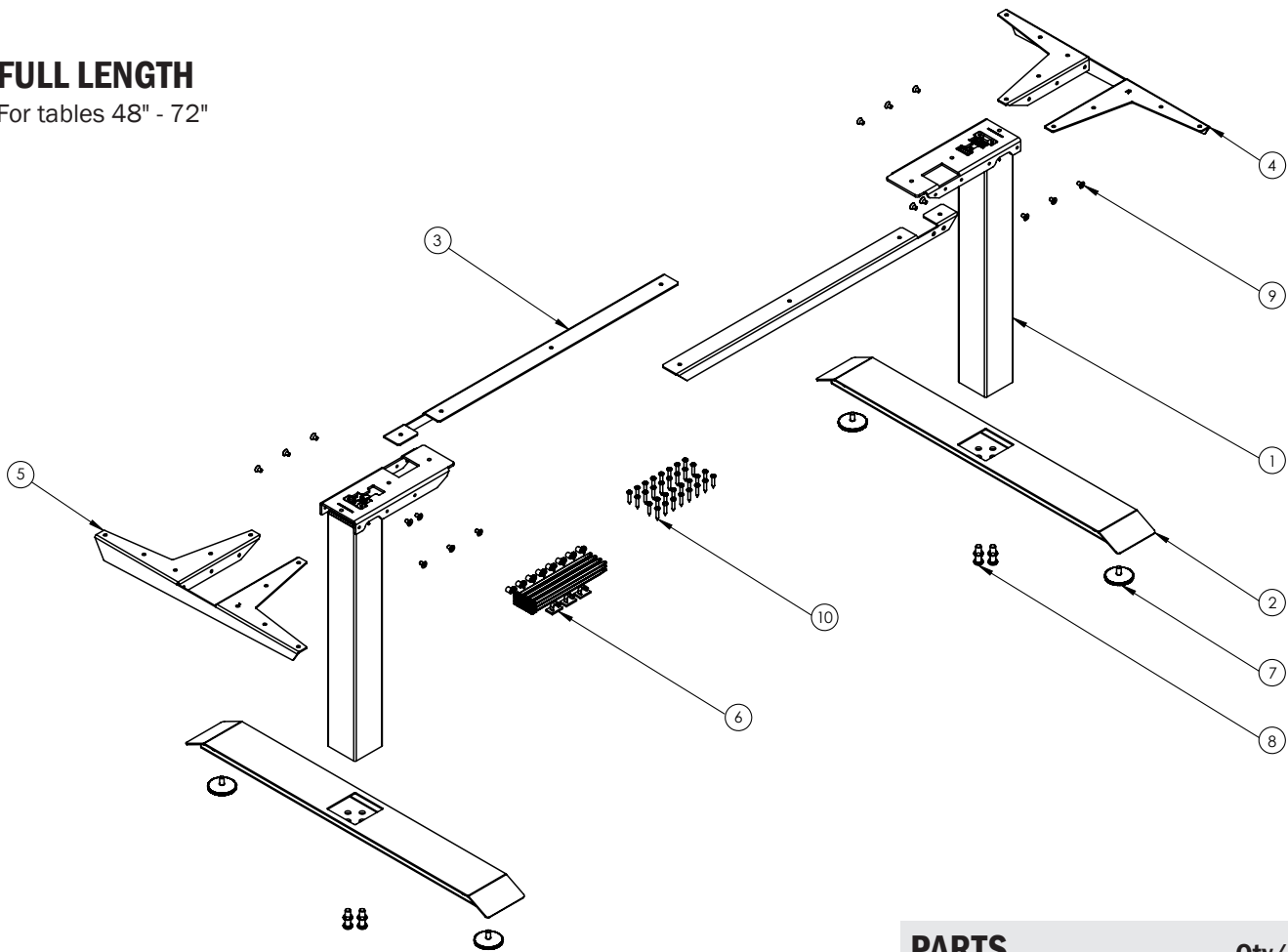


PARTS DIAGRAM

FULL LENGTH

For tables 48" - 72"



PARTS	Qty/Package
1. Column	2
2. Foot (24" or 30")	2
3. Support Rail	2
4. Top Support-Right Hand	1
5. Top Support-Left Hand	1
6. Wire Management Kit	1
7. Glide	4
8. M10 x 14mm Button Head Screw	4
9. M6 x 10mm Flat Head Screw	20
10. #10 x 1" Wood Screw	34