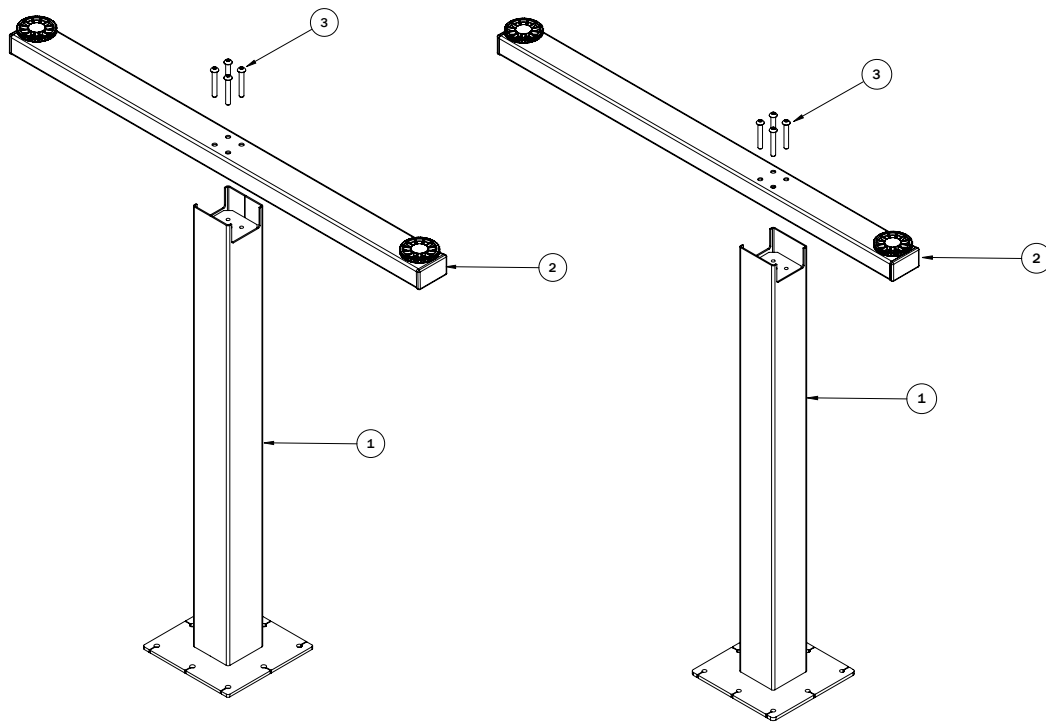


# PARTS DIAGRAM

## 24"/30" T&C LEG



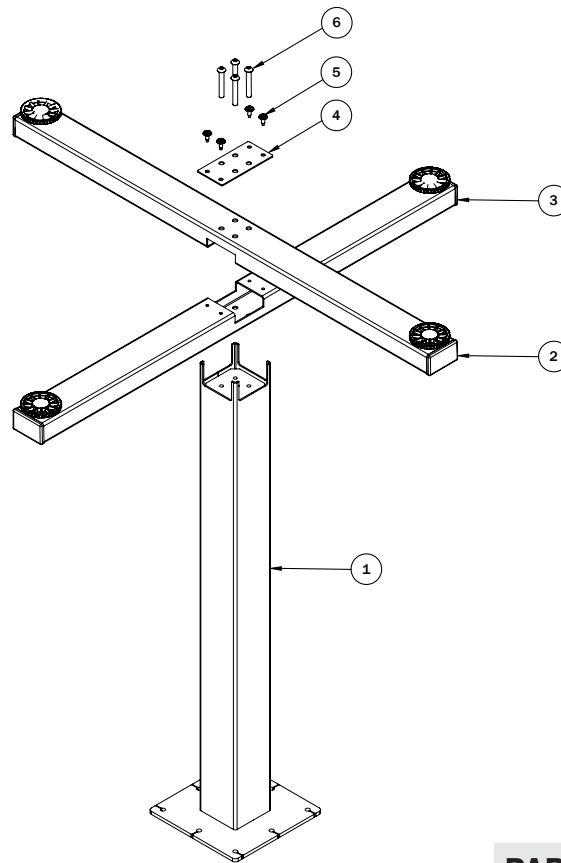
### PARTS

### Qty/Package

1. Column	2
2. Foot Assembly	2
3. M6 x 40mm Button Head Cap Screw	8

# PARTS DIAGRAM

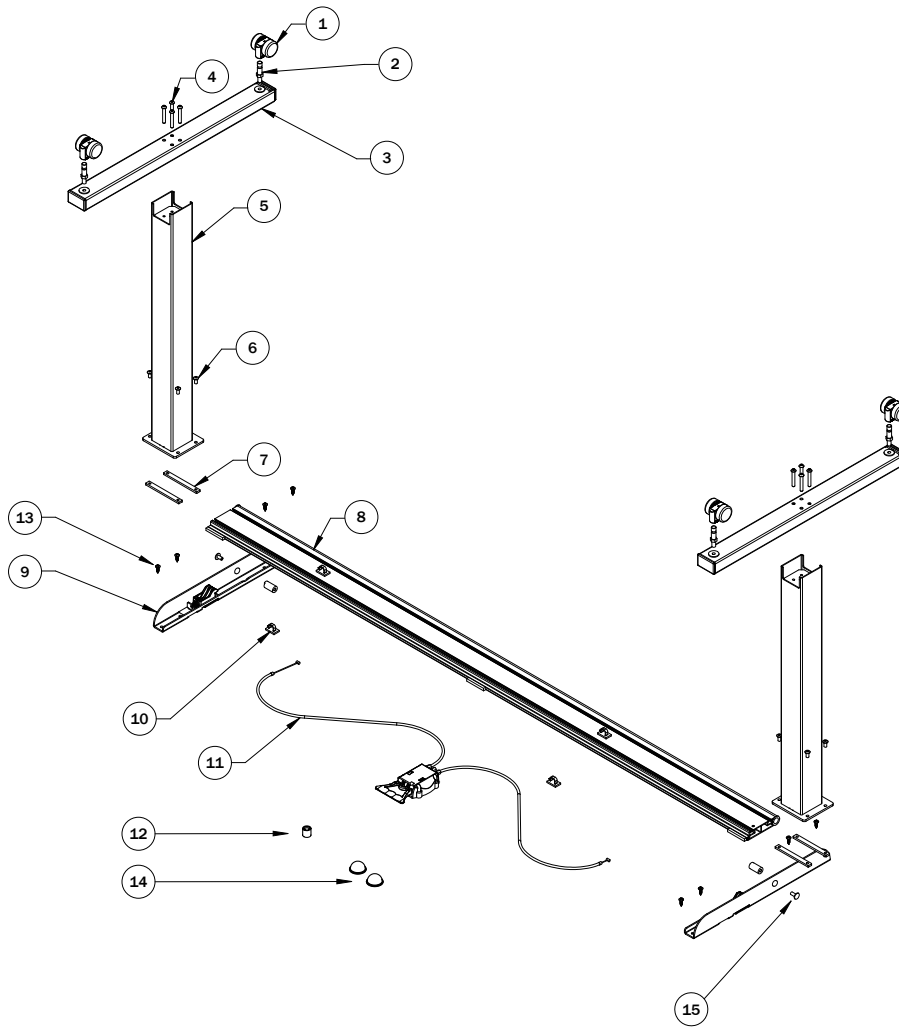
## 30" X-BASE



PARTS	Qty/Package
1. Column	1
2. Bottom Foot Assembly	1
3. Top Foot Assembly	1
4. Mending Plate	1
5. #8 x 1/2" Self-Drilling Screw	4
6. M6 x 40mm Button Head Cap Screw	4

# PARTS DIAGRAM

## FLIP TOP



PARTS		Qty/Package	Qty/Package	
1.	Caster	4	9. Top Support Assembly	2
2.	Caster Stem	4	10. Cord Clip	4
3.	Foot Assembly	2	11. Paddle Assembly	1
4.	M6 x 40mm Button Head Cap Screw	8	12. Plastic Spacer	1
5.	Column	2	13. #10x1.00" Phillips Head Wood Screw	1
6.	M6 x 12mm Button Head Cap Screw	8	14. Collision Bumpers	2
7.	Mounting Plate	4	16. M6 x 12mm Flange Button Head Cap Screw	2
8.	Support Rail	1		