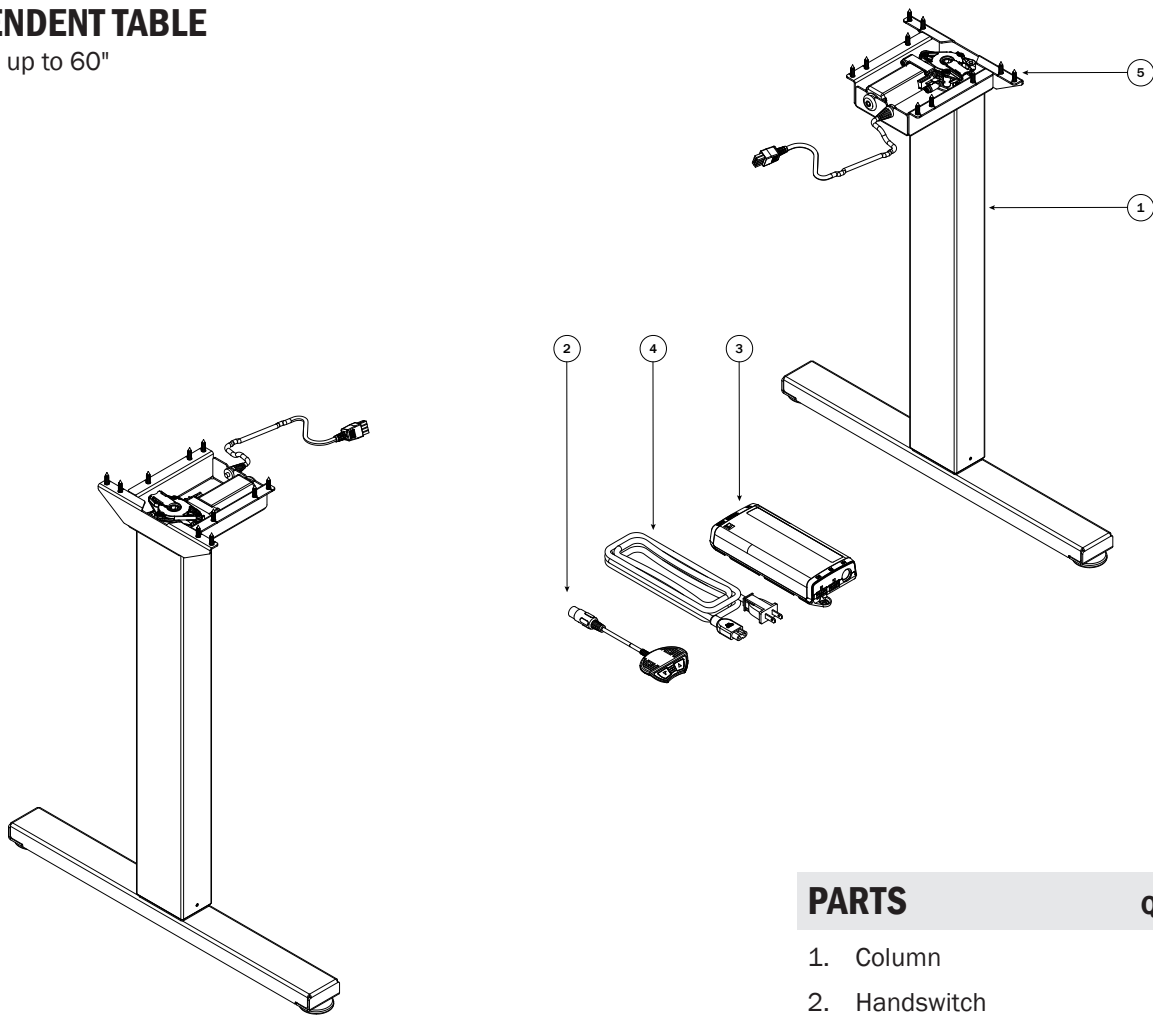


PARTS DIAGRAM

INDEPENDENT TABLE

For tables up to 60"



PARTS

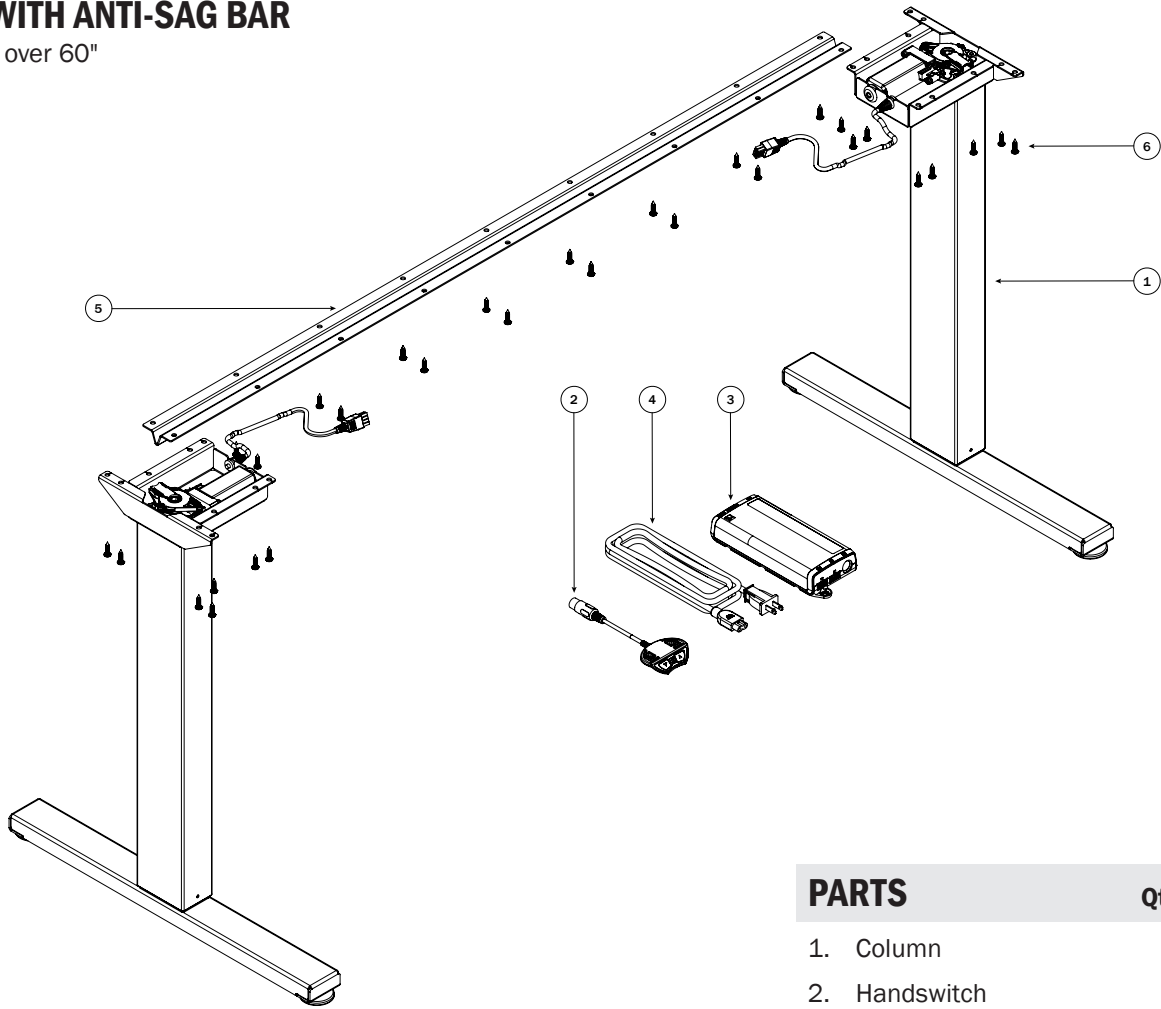
Qty/Package

1.	Column	2
2.	Handswitch	1
3.	Control Box	1
4.	Power Cord	1
5.	#10 x 3/4" Screw	24

PARTS DIAGRAM

TABLE WITH ANTI-SAG BAR

For tables over 60"



PARTS

Qty/Package

1.	Column	2
2.	Handswitch	1
3.	Control Box	1
4.	Power Cord	1
5.	Anti-Sag Bar	1
6.	#10 x 3/4" Screw	42