



Product Specs

EMPIRE TABLE LEGS

FEATURES

- ✔ Meets BIFMA X5.5 standards
- ✔ Ten-year warranty
- ✔ Easy assembly
- ✔ Over 150 color options



ADDITIONAL INFORMATION

- Standard height is 27.76" without top
- Welded steel construction
- Maximum configuration size 30" x 84"
- Minimum configuration size 30" x 36"
- Includes adjustable leveling glides

OPTIONS

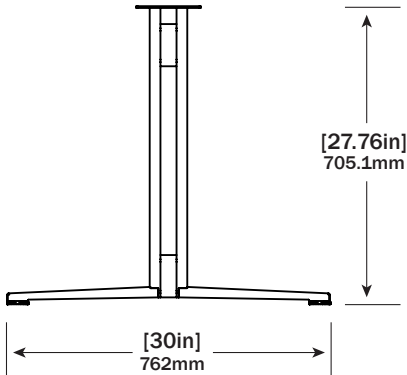
POWDER COAT COLOR OPTIONS

150+ colors available.

TECHNICAL SPECIFICATIONS

DRAWING

Standard Dimensions



WARRANTY INFORMATION

- Two Years** Electronic components such as control boxes, handswitches, motors.
- Five Years** Mechanical components such as crank drives, spindles.
- Ten Years** Structural components such as beams, feet and top supports.



11511 James Street • Holland, MI 49424 • 616.738.6688 • omt-veyhl.com

Terms of Use: The user is responsible for determining the suitability of OMT-Veyhl products for specific applications. © OMT-Veyhl 2019



v 071619