

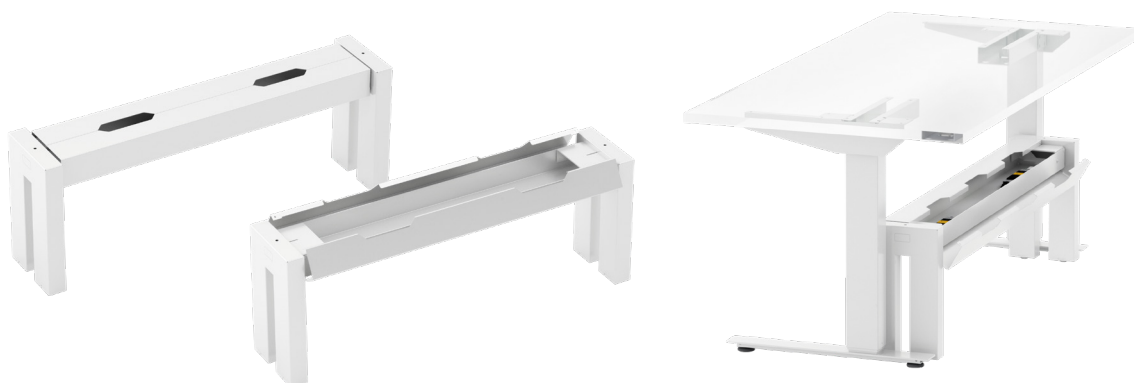


Product Specs

STAND-ALONE WIRE MANAGER

FEATURES

- ✔ Wire manager and power supply
- ✔ Free-standing with easy mobility
- ✔ UL listed power components available
- ✔ Easy access covers
- ✔ Mounting points for privacy screen add-on



ADDITIONAL INFORMATION

- For workstations 36" to 84" in length
- 36" and 42" units have one power module
48"-84" units have two power modules
- Connect up to four units in a row
- ECA components available
- Flip-open doors for easy access
- Includes adjustable leveling glides

TECHNICAL SPECIFICATIONS

NOTES

- Leg Depth: 2.36" (60 mm)
- Tray Width (inside): 7.08" (180 mm)
- This unit not intended to support weight other than modesty panel

WARRANTY INFORMATION

Two Years Electronic components such as control boxes, handswitches, motors.

Ten Years Structural steel components.

OPTIONS

POWDER COAT COLOR OPTIONS

150+ colors available.

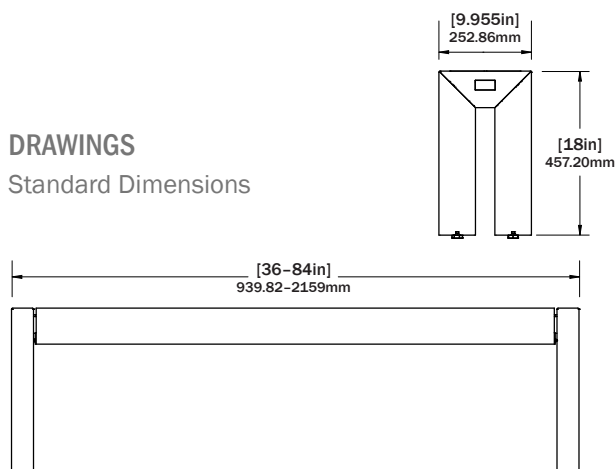
POWER OPTIONS

Hardwire Power Infeed

Power-to-Power Connectors

DRAWINGS

Standard Dimensions



11511 James Street • Holland, MI 49424 • 616.738.6688 • omt-veyhl.com

Terms of Use: The user is responsible for determining the suitability of OMT-Veyhl products for specific applications. © OMT-Veyhl 2019



v 070319