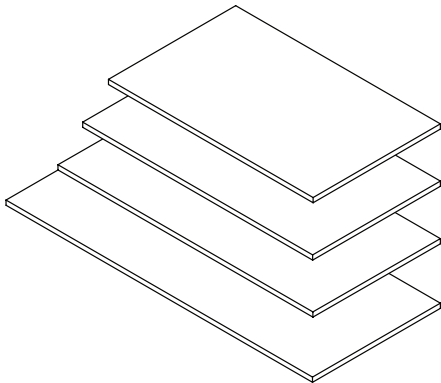
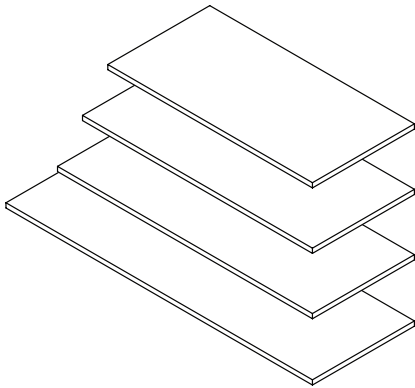


UNIVERSAL WORK SURFACES

USER GUIDE

UNIVERSAL WORK SURFACES



FEATURES

- Multiple color options with coordinating edge bands
- Pre-drilled locator holes for multiple base configurations
- Available in 24" and 30" depths
- Available with or without grommet

TABLE OF CONTENTS

Safety Information	4
Installation Instructions	5-8
OV1020 / Essential	6
OV1001 / Bold	7
OV1000 / Clever	8

WARRANTY

CONTACT YOUR SALES REPRESENTATIVE FOR WARRANTY INFORMATION

SAFETY INFORMATION

IMPORTANT SAFETY INSTRUCTIONS *Save these instructions.*

WARNING: To reduce the risk of death, serious injury, or property damage, read and follow this safety information and the provided instructions when assembling this product. Do not change or replace components and accessories provided by OMT-Veyhl.

KEEP AWAY FROM CHILDREN

This table system is not designed for use in homes or other areas accessible by small children. For indoor commercial office use only.

DO NOT OVERLOAD DESK

To prevent table from tipping or collapsing, make sure the desk frame is not overloaded by the weight of tabletop and objects on table. Evenly distribute load; excess loads near edges can reduce stability and lead to tip over.

- Do not exceed maximum load of table base (including weight of desktop)
- Do not exceed edge load of 25 lb. when positioning monitors or mounting accessories
- Do not sit or stand on table

USE CARE WHEN MOVING DESK

- Clear objects and equipment from table before moving to reduce the risk of tipping over
- Do not move a loaded desk
- Do not pull or push the table along the floor. Pick table up when moving it.

ATTENTION CA RESIDENTS

WARNING

This product can expose you to chemicals that are known to the State of California to cause cancer, birth defects or other reproductive harm. For more information go to www.P65Warnings.ca.gov.

INSTALLATION INSTRUCTIONS

The installation of the work surface to be made in accordance with this manual. Changes to the work surface or improper use may affect the safety, function, and life of your product.

These instructions are intended to assist the installer with the most common product configurations. If your base requires the use of different hole locations, please disregard these locator holes and follow instructions provided with your product.

PRE-DRILLED LOCATOR HOLES

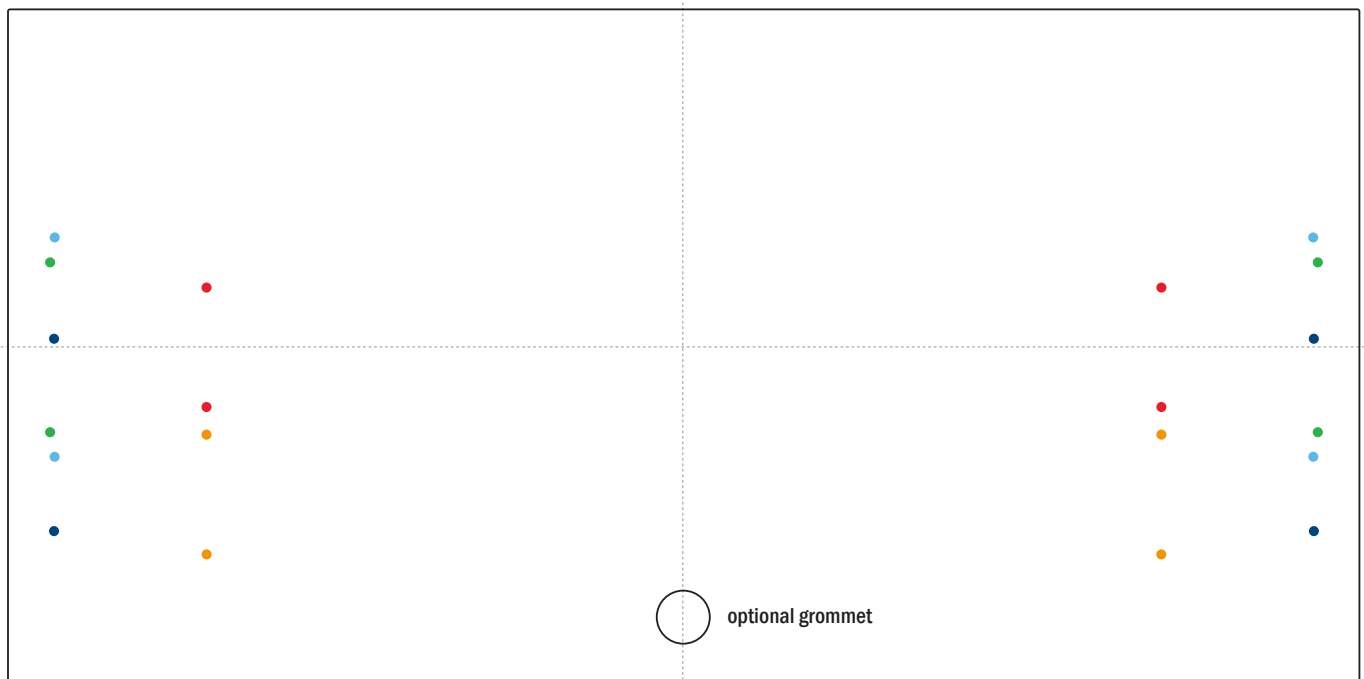
OV-1020 / ESSENTIAL

OV-1001 / BOLD T-Leg

OV-1000 / CLEVER T-Leg

OV-1001 / BOLD C-Leg

OV-1000 / CLEVER C-Leg



OV1020 / ESSENTIAL

1 FASTEN PRE-ASSEMBLED COLUMNS TO THE WORK SURFACE

Use the OV1020 / Essential locator holes to position. **See Illustration A**

Be sure top supports are mounted 1.5" from edge of work surface.

Max Rated Load (including table top): 250 lb.

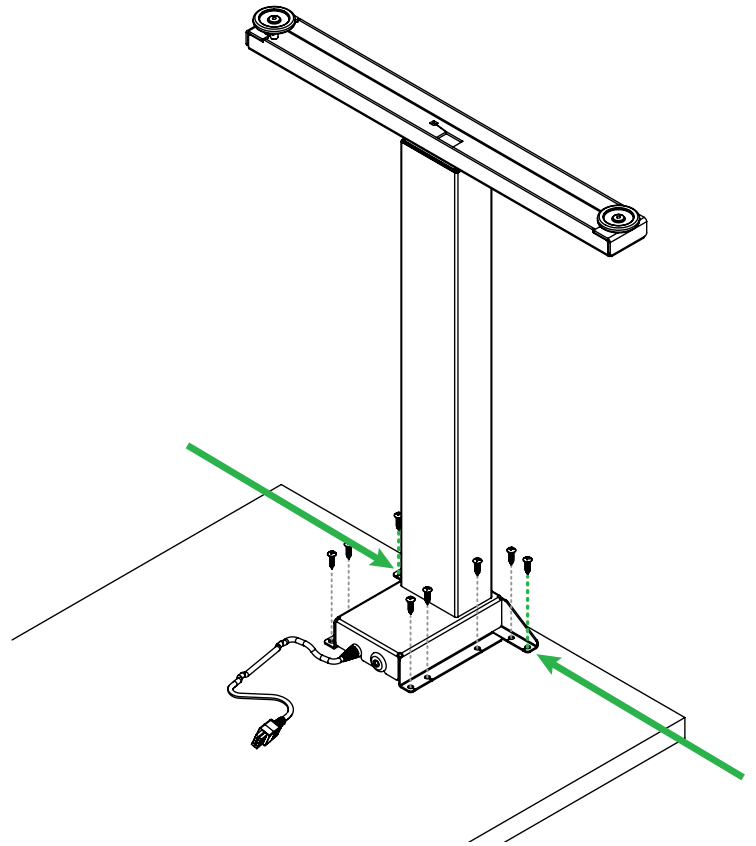
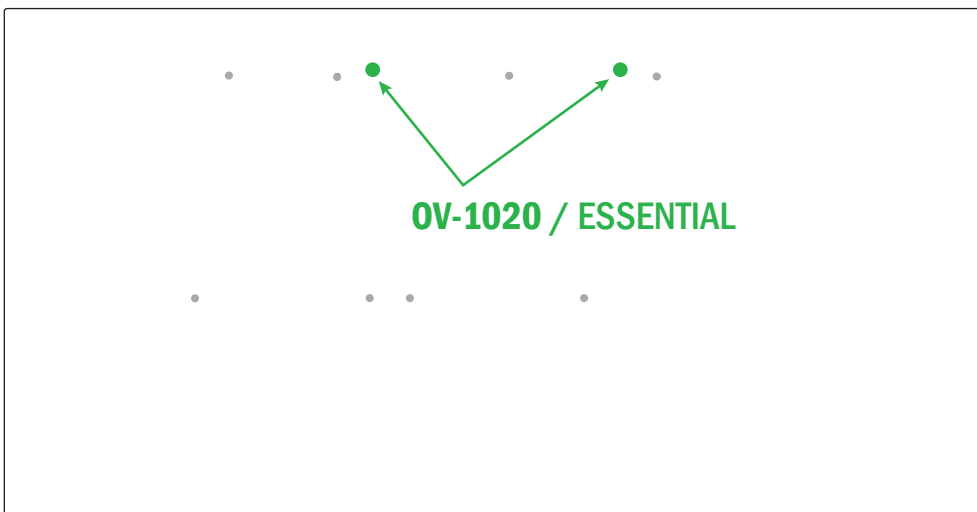


ILLUSTRATION A



OV1001 / BOLD

1 FASTEN PRE-ASSEMBLED TABLE FRAME ONTO WORKSURFACE

Use the OV1001 / Bold locator holes to position. **See Illustration B**

Locator holes fit to standard Full Length T&C Leg configurations.

Max Rated Load (including table top): 225 lb.

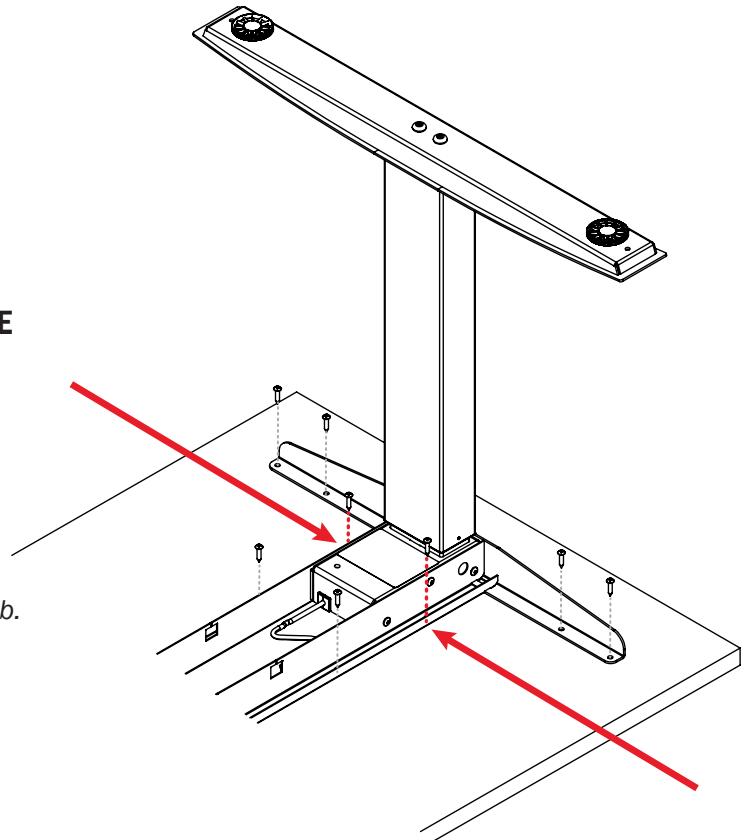
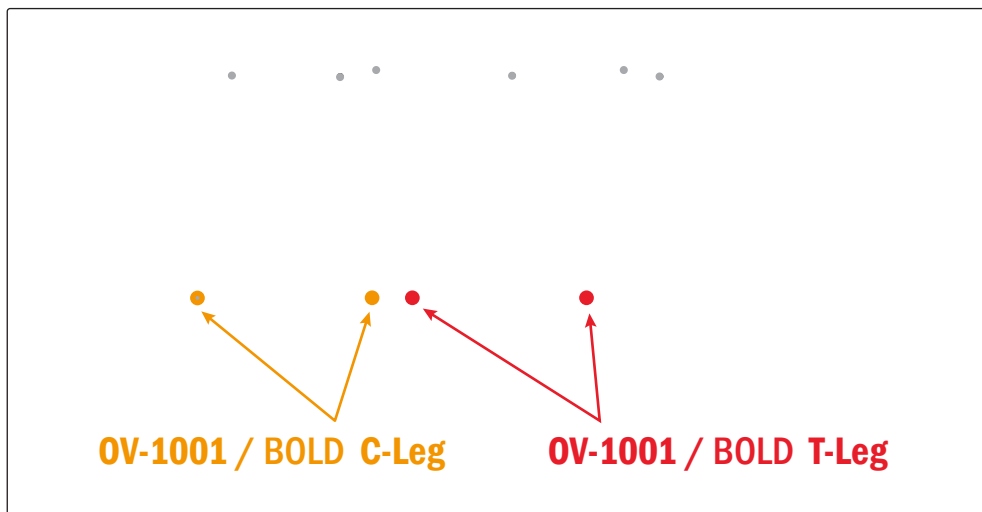
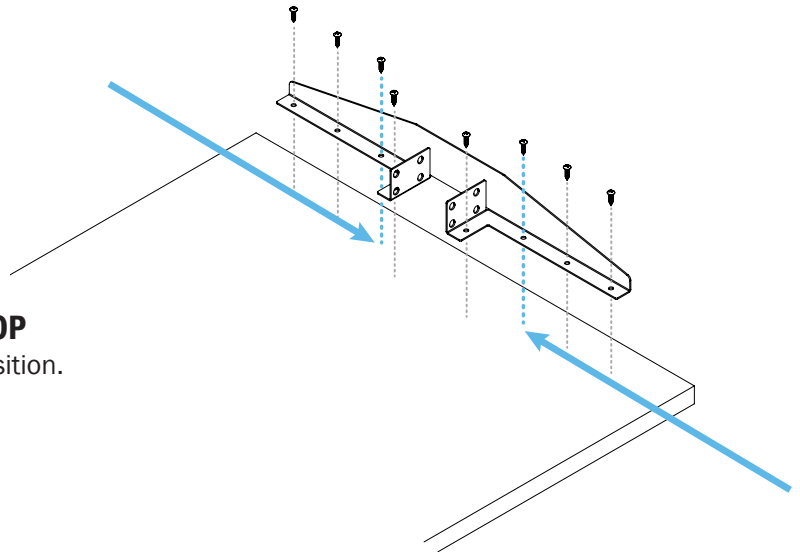


ILLUSTRATION B



OV1000 / CLEVER



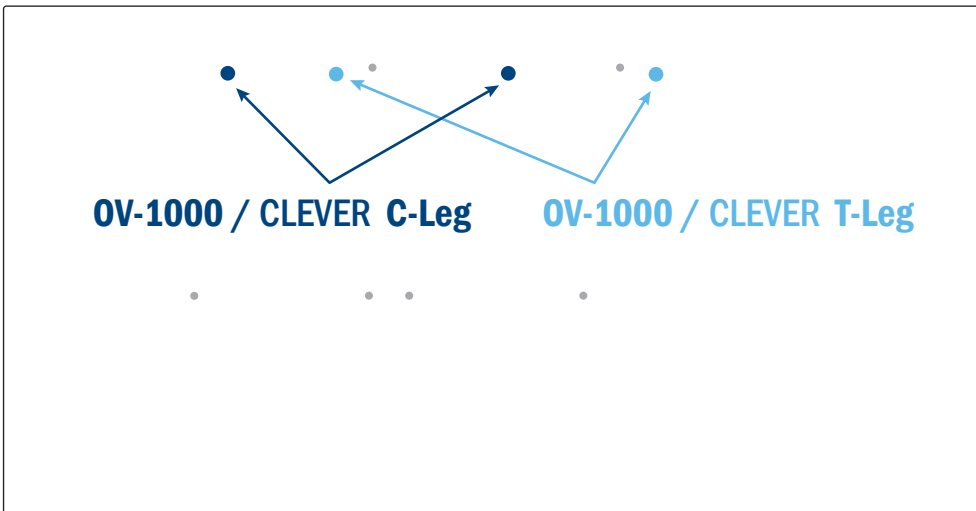
1 FASTEN TOP SUPPORTS TO THE TABLE TOP

Use the OV1000 / Clever locator holes to position.
See Illustration C

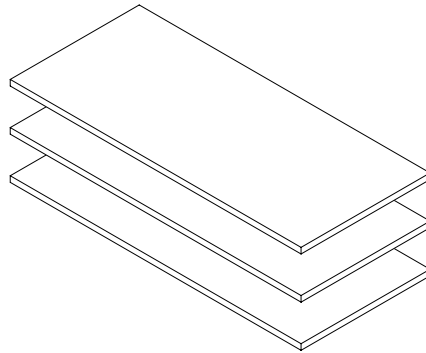
Be sure top supports are mounted
1.5" from edge of work surface.

Max Rated Load (including table top): 200 lb.

ILLUSTRATION C



2 ASSEMBLE THE REST OF TABLE FOLLOWING OV1000 USER GUIDE



UNIVERSAL WORK SURFACES USER GUIDE

Part No. 113578