

OV1021 | Part No. 114804



OV1021

FIXED LEG TABLE

USER GUIDE

OV1021

FIXED LEG TABLE



FEATURES

- Full table base (add your own work surface)
- Meets BIFMA X5.5 standards (glides only)
- Easy assembly
- Ten-year warranty
- Over 150 color options

TABLE OF CONTENTS

Parts Diagram	4
Safety Information	5
Assembly Instructions	6-7

STANDARDS & CERTIFICATIONS

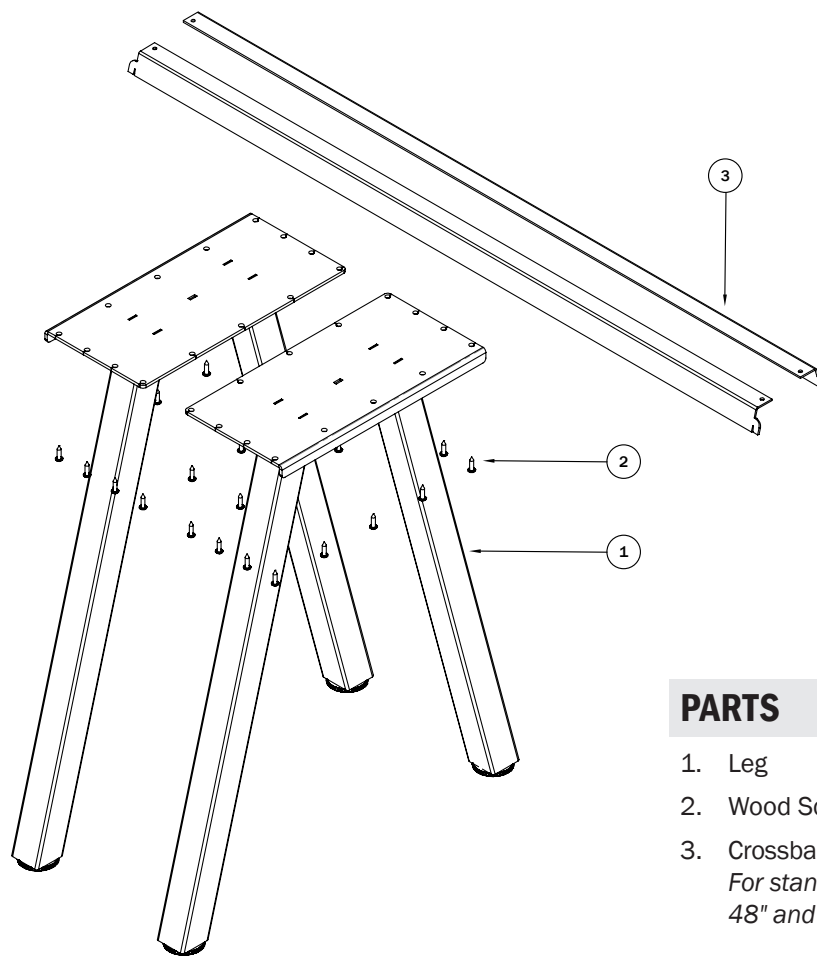
Meets 2014 BIFMA standards (glides only).

WARRANTY

Contact your sales representative for warranty information.

OV1021

PARTS DIAGRAM



PARTS	Qty/Package
-------	-------------

- | | |
|----------------------------------------------------------------------------|---|
| 1. Leg | 2 |
| 2. Wood Screw Kit (#10 x 3/4") | 1 |
| 3. Crossbar
<i>For standing height tables in
48" and 60" widths</i> | 2 |

SAFETY INFORMATION

IMPORTANT SAFETY INSTRUCTIONS *Save these instructions.*

INSTALL ONLY APPROVED WORK SURFACES

This table system does not include a work surface (desktop). Maximum load for table is 200 lb, including work surface. Maximum desktop dimensions are 30"x72". If you are unsure if your preferred work surface meets specifications, contact customer service.

DO NOT OVERLOAD DESK

To prevent table from tipping or collapsing, make sure the desk frame is not overloaded by the weight of tabletop and objects on table. Evenly distribute load; excess loads near edges can reduce stability and cause table to tip over.

- Do not exceed maximum load (including weight of desktop) of 200 lb (91Kg)
- Do not exceed edge load of 25 lb when positioning monitors or mounting accessories
- Do not sit or stand on table

USE CARE WHEN MOVING TABLE

- Remove all objects and mounted accessories from the table before moving
- Clear objects and equipment from table before rolling to reduce the risk of tipping over

ASSEMBLY INSTRUCTIONS

The assembly of the table frame to be made in accordance with this manual. Changes to the table frame or improper use may affect the safety, function, and life of your product.

Step 1 applies to the following table legs: 16.75" and 27.7" high legs (coffee and desk height). See Step 2 for instructions for 40.75" high (standing height) legs in 48" and 60" widths.

1 (FOR ALL COFFEE TABLE AND DESK HEIGHT TABLES) **INSTALL LEGS TO THE TABLE TOP**

Center legs front to back on the table top (See *Illustration A*). Mark the locations of the pilot hole on the table top.

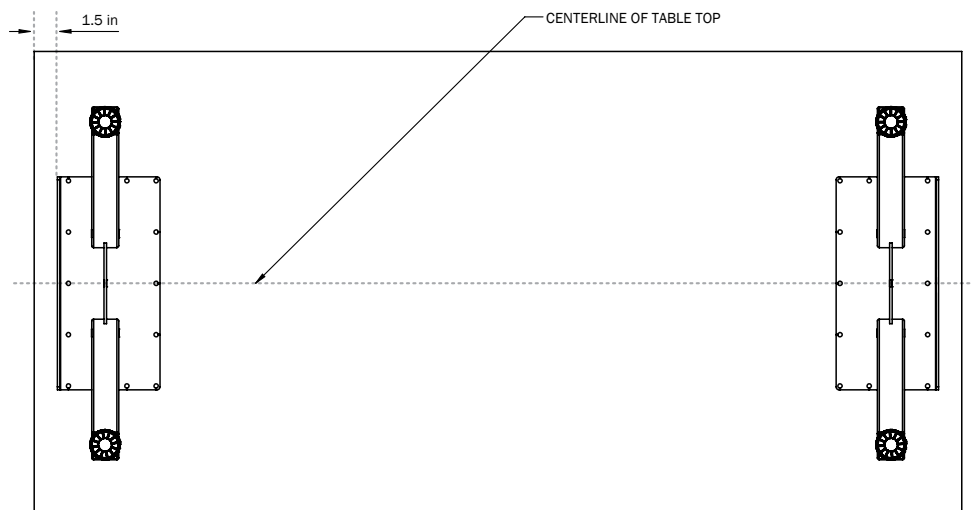


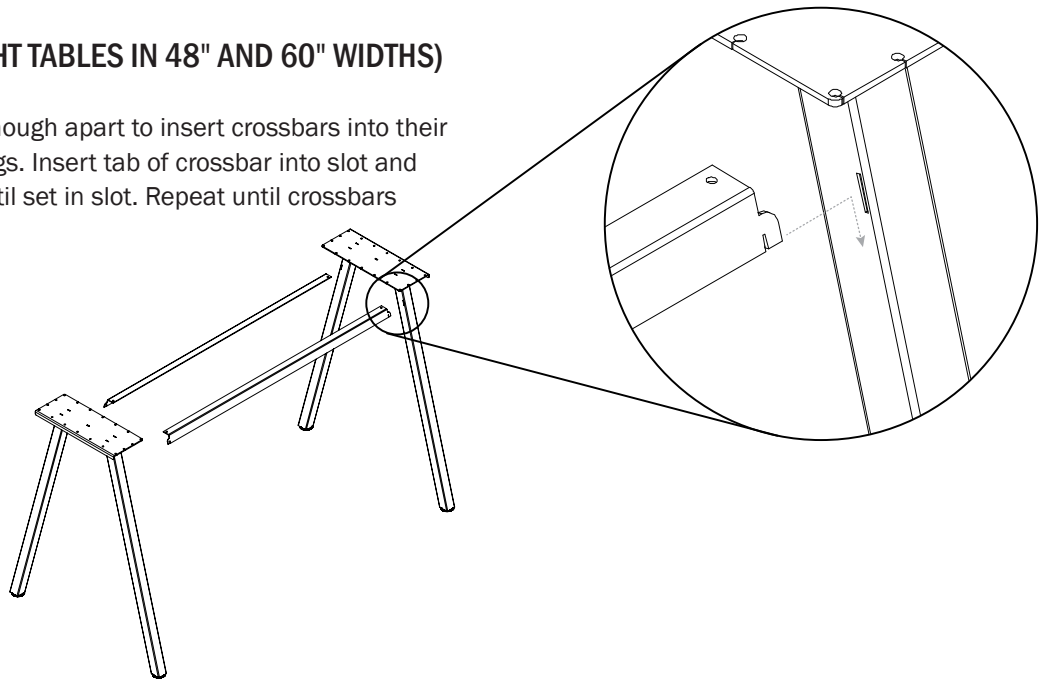
ILLUSTRATION A

Drill the pilot holes to the size recommended by the table top manufacturer. Install the #10 x 3/4" screws through the mounting plate into the table top.

**Please make sure top supports are mounted 1.5" from edge of work surface.*

2 (FOR STANDING HEIGHT TABLES IN 48" AND 60" WIDTHS) INSTALL CROSSBAR

Stand both legs up far enough apart to insert crossbars into their corresponding slots in legs. Insert tab of crossbar into slot and tap down on crossbar until set in slot. Repeat until crossbars are firmly set in slots.



3 (FOR STANDING HEIGHT TABLES IN 48" AND 60" WIDTHS) INSTALL LEGS TO THE TABLE TOP

Flip leg assembly over onto the table top. Center legs front to back and side to side on the bottom of the table top (See *Illustration B*). Mark the locations of the pilot hole on the table top.

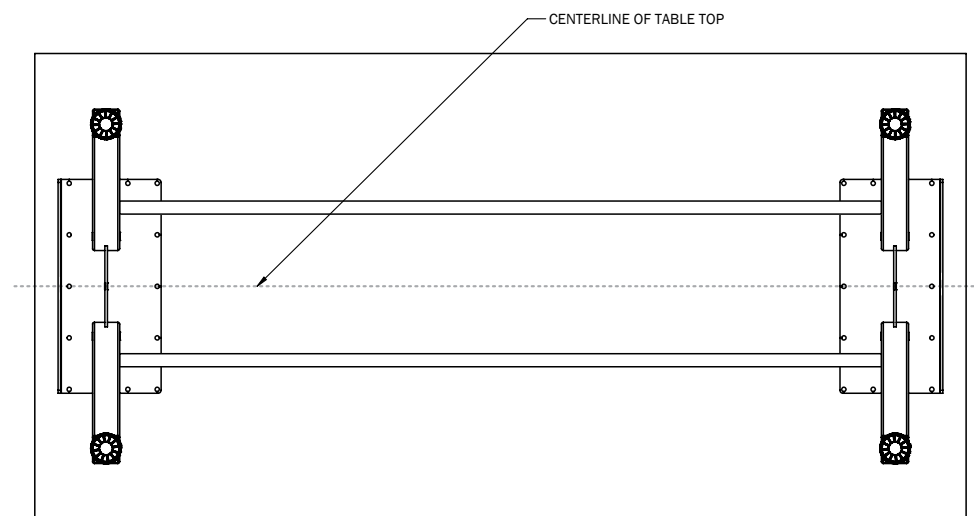
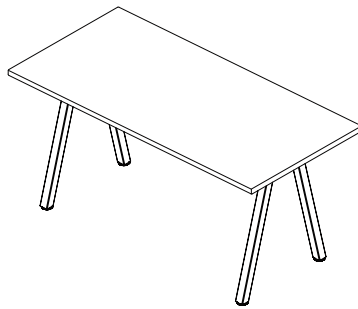


ILLUSTRATION B

Drill the pilot holes to the size recommended by the table top manufacturer.
Install the #10 x $\frac{3}{4}$ " screws through the mounting plate into the table top.



End of life cycle: Once product is disassembled, all steel components can be recycled at your local metal collector. For products with electronic components, see Disassembly Guide.



OV1021

USER GUIDE

Part No. 114804