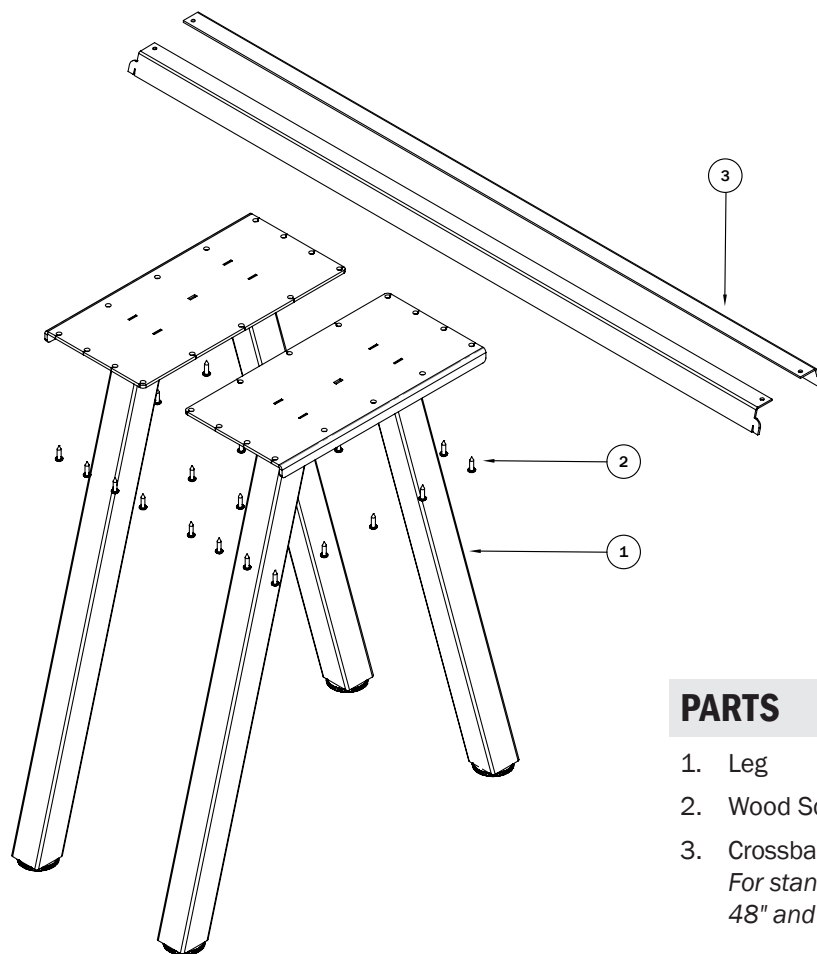


# OV1021

## PARTS DIAGRAM

**PARTS****Qty/Package**

- |  |   |
|--|---|
| 1. Leg   | 2 |
| 2. Wood Screw Kit (#10 x 3/4")   | 1 |
| 3. Crossbar<br><i>For standing height tables in<br/>48" and 60" widths</i> | 2 |