



Product Specs

IRONS FAMILY

FEATURES

- ✔ Coordinating T-Leg, C-Leg, X-Base, Flip-Top and Height-Adjustable options
- ✔ Meets BIFMA X5.5 standards
- ✔ Ten-year warranty
- ✔ Easy assembly
- ✔ Over 150 color options with two-tone combinations available





Shown in two-tone color option.

ADDITIONAL INFORMATION

- Square columns only
- Standard height is 27.29" without top
- 24" and 30" depths available
- Max configuration size 30" x 72" for T-Leg Base
- Max 30" round or 24" square top for the X-Base
- Raising/lowering speed 1.5" per second
- Power consumption <0.3W
- Comes with adjustable glide feet
- Caster feet standard with flip top

OPTIONS

BASE OPTIONS



T-Leg Base



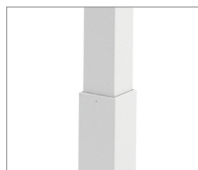
C-Leg Base



X-Base



Flip Top Base



Height Adjustable Base

POWDER COAT COLOR OPTIONS

150+ colors available.
Two-tone color combinations available.

HANDSWITCH OPTIONS



TOUCHbasic



TOUCHinlay
(upgrade)



TOUCHFX
(upgrade)

WARRANTY INFORMATION

Three Years Electronic components such as control boxes, handswitches, motors.

Five Years Mechanical components such as crank drives, spindles.

Ten Years Structural steel components.

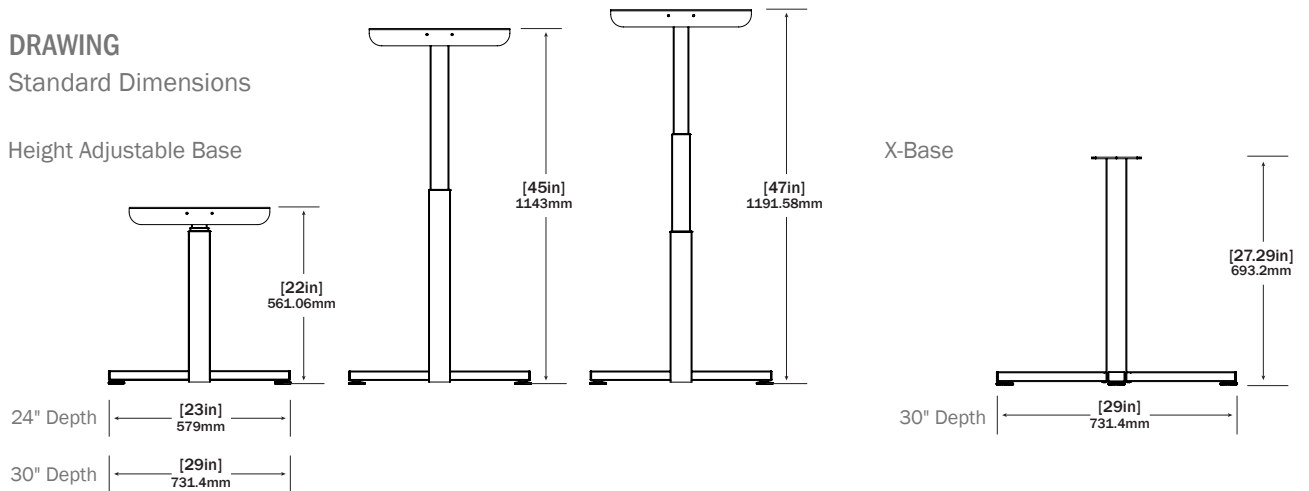
TECHNICAL SPECIFICATIONS

TYPE	STROKE LENGTH (IN)	HEIGHT MIN / MAX (IN)	TRAVEL SPEED (IN/sec)	MAX WEIGHT (LB)	NOISE LEVEL (DB)
Single Stage (SSE)	18.9	25/44	1.5	225	<50
Dual Stage Low (DSL)	26	20/46	1.5	225	<50

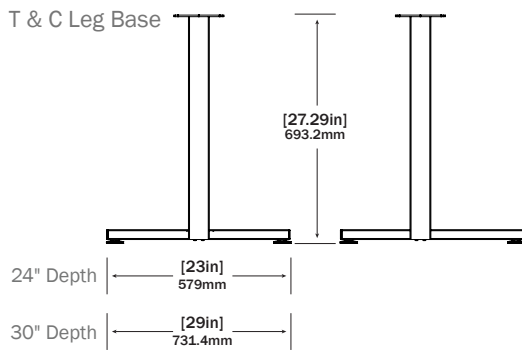
DRAWING

Standard Dimensions

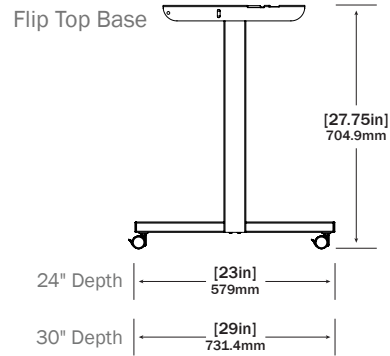
Height Adjustable Base



T & C Leg Base



Flip Top Base



NOTES

- Base depths: 24" and 30"
- Base widths: 36"-84" (6" increments)
- Max load: Rated load (including table top): 225 lb.
Functional load: 324 lb.