



PRODUCT SPECS

ESSENTIAL TABLE BASE

Features

- Full table base (add your own work surface)
- Meets BIFMA X5.5 standards
- UL 962 approved
- Easy-order with one part number





STANDARD SPECIFICATIONS

- Single stage height range 26"–45" (without top)
- Dual stage height range 21.75"–47.75" (without top)
- Fits both 24" and 30" tops
- Standard base widths 48"–72" (anti-sag bar recommended for widths over 60")
- Raise/lower speed of 1.375" per second
- Power consumption <0.3W
- Ships complete, just attach base to top
- Available in black, white or silver

OPTIONS

HANDSWITCH OPTIONS

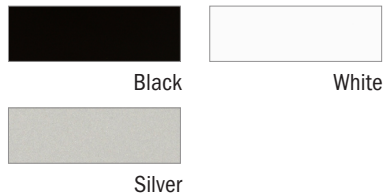


Basic Up-Down



Programmable

POWDER COAT COLOR OPTIONS



Black

White

Silver

FOOT OPTIONS



T Foot

WARRANTY INFORMATION

Three Years Electronic components such as control boxes, handswitches, motors.

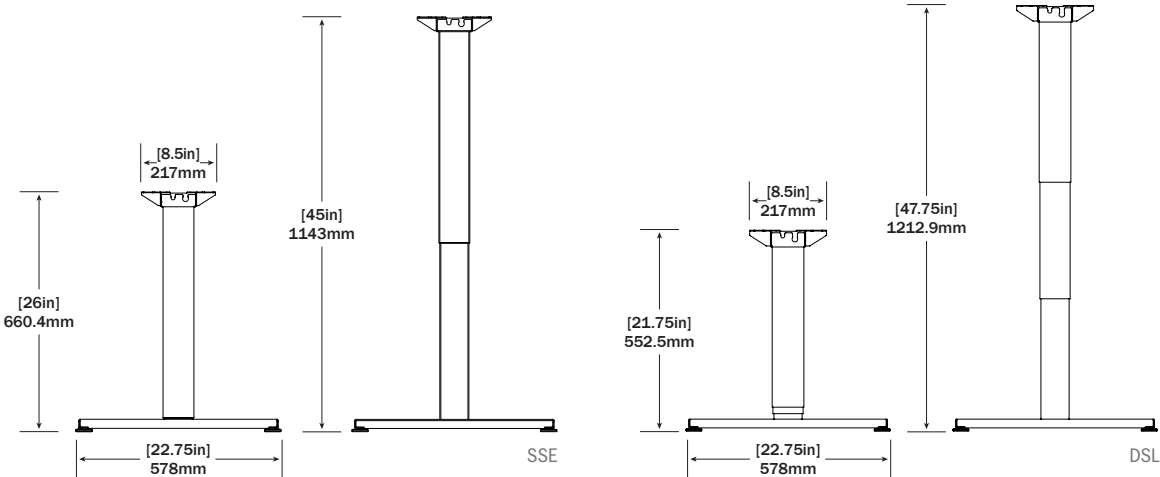
Five Years Mechanical components such as crank drives, spindles.

Ten Years Structural components such as beams, feet and top supports.

TECHNICAL SPECIFICATIONS

TYPE	STROKE LENGTH (IN)	HEIGHT MIN / MAX (IN)	TRAVEL SPEED (IN/sec)	MAX RATED LOAD (LB)	NOISE LEVEL (DB)
Single Stage (SSE)	19	26 / 45	1.375	250	<50
Dual Stage (DSL)	26	21.75 / 47.75	1.375	250	<50

STANDARD DIMENSIONS



NOTES

- Base depth: 22.75 "
- Base width: 48" - 72"
- Base height: SSE: 26" - 45"
DSL: 21.75" - 47.75"
- Column dimensions: SSE: 3.35" x 2.17"
DSL: 3.54" x 2.36"
- Max load: Rated load (including table top): 250 lb.
Functional load: 306 lb.
- Anti-sag bar available for widths over 60"

