



PRODUCT SPECS

SAWHORSE

TABLE LEGS

Features

- Meets BIFMA X5.5 standards (glides only)
- Easy assembly
- Ten-year warranty
- Over 150 color options



STANDARD SPECIFICATIONS

- Three available height options
- All steel construction
- Maximum configuration size 36" x 60"
- Minimum configuration size 13" x 36"

COFFEE TABLE HEIGHT

- 16.75" high
- Designed for tops between 36"–48" in length
- Designed for tops between 13"–21" in depth
- Glides only

DESK HEIGHT

- 27.75" high
- Designed for tops between 48"–60" in length
- Designed for tops between 20"–30" in depth
- Glides and caster versions available

BAR HEIGHT

- 40.75" high
- Designed for tops between 48"–60" in length
- Designed for tops between 20"–30" in depth
- Glides only

OPTIONS

POWDER COAT COLOR OPTIONS

150+ colors available.

FOOT OPTIONS



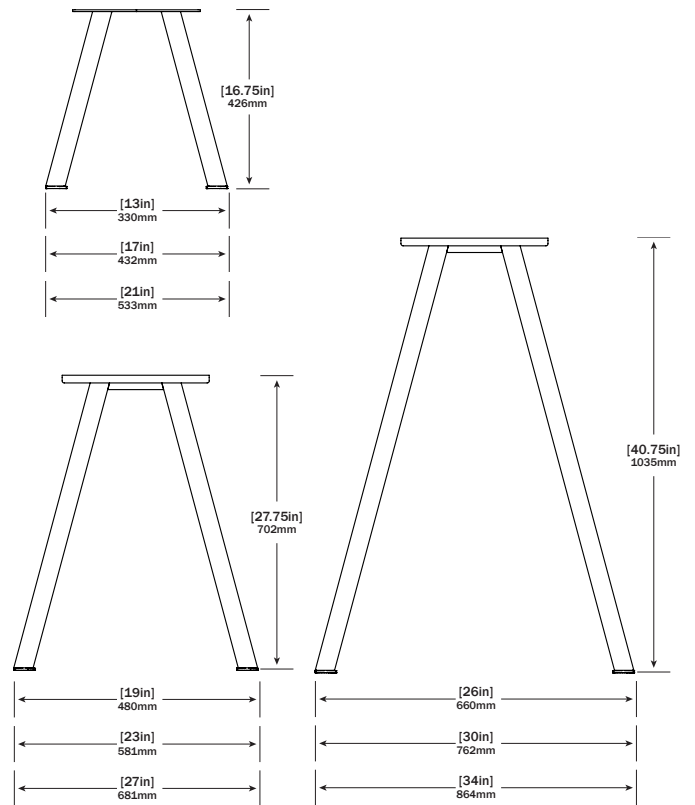
Glides



Casters

TECHNICAL SPECIFICATIONS

STANDARD DIMENSIONS



WARRANTY INFORMATION

Three Years Electronic components such as control boxes, handswitches, motors.

Five Years Mechanical components such as crank drives, spindles.

Ten Years Structural components such as beams, feet and top supports.



11511 James Street • Holland, MI 49424 • 616.738.6688 • omt-veyhl.com

Terms of Use: The user is responsible for determining the suitability of OMT-Veyhl products for specific applications. © OMT-Veyhl 2020



**BUILT
IN THE USA**

v 030520