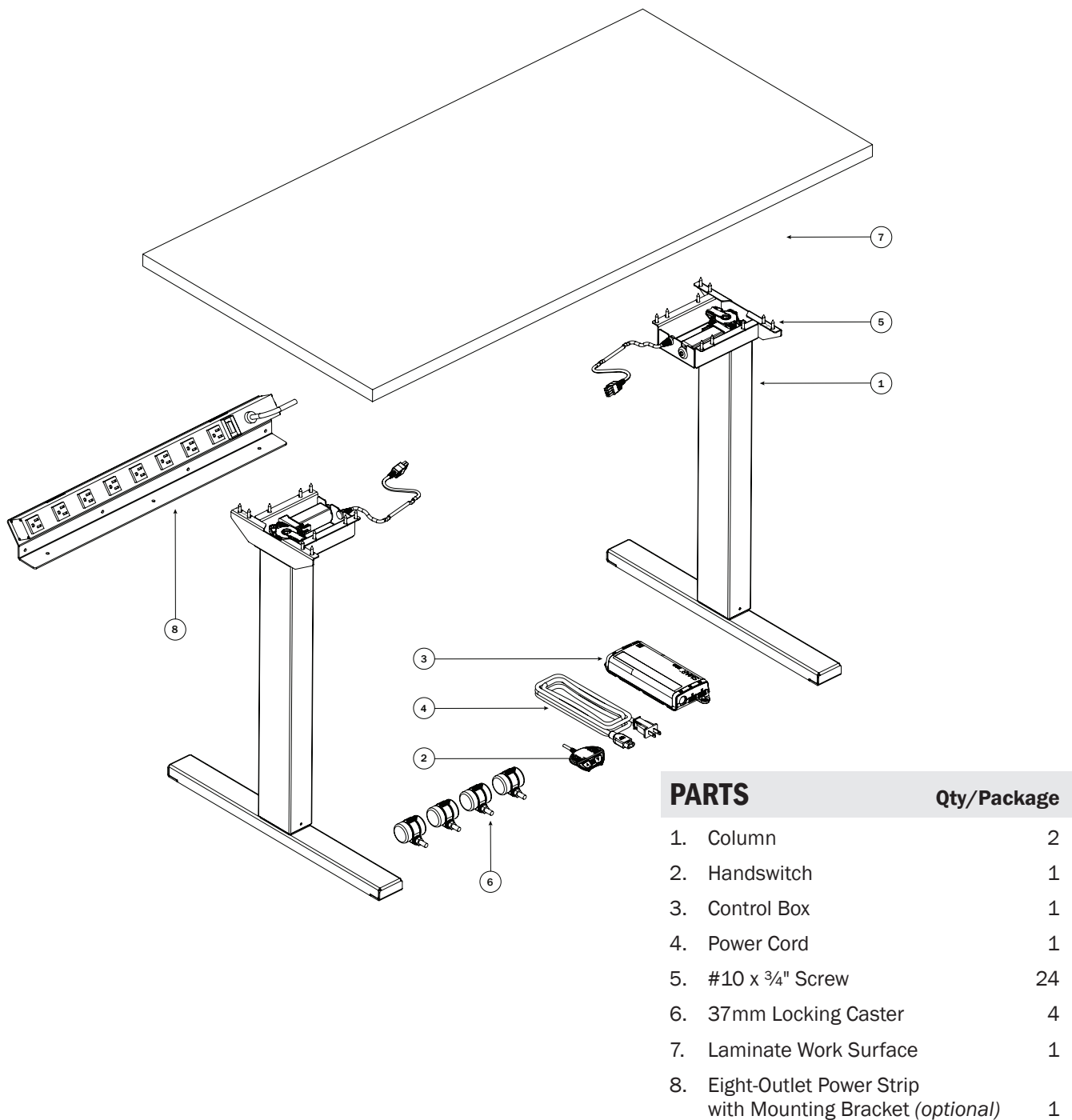


OV1024

PARTS DIAGRAM



PARTS

Qty/Package

1.	Column	2
2.	Handswitch	1
3.	Control Box	1
4.	Power Cord	1
5.	#10 x 3/4" Screw	24
6.	37mm Locking Caster	4
7.	Laminate Work Surface	1
8.	Eight-Outlet Power Strip with Mounting Bracket (optional)	1