



PRODUCT SPECS

ASCEND

HEIGHT ADJUSTABLE
WORKSTATION

Features

- Single and dual monitor configurations
- Electric lift
- Integrated wire management
- Tools provided for easy assembly



Sit-To-Stand Switch

STANDARD SPECIFICATIONS

- Single stage height adjustability up to 18.9"
- Raising/lowering speed 1.5" per second
- Monitor mounts hold up to 24" screens
- 35 lb. tray lift capacity
- Bumper pad protected work surface
- Wire management for monitor cords
- Meets ANSI/BIFMA X5.5 standards
- Custom-designed, tray-integrated sit-to-stand switch
- Power consumption <0.3W

OPTIONS

MONITOR MOUNT OPTIONS

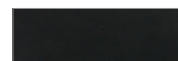


Single Monitor Configuration

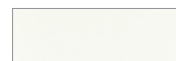


Dual Monitor Configuration

POWDER COAT COLOR OPTIONS



Textured Black



Textured White

WARRANTY INFORMATION

Three Years Electronic components such as control boxes, handswitches, motors.

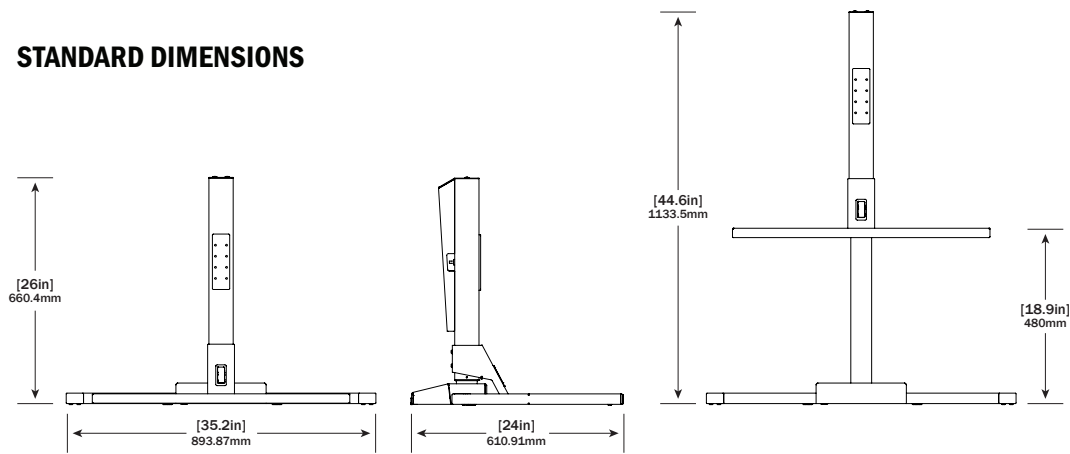
Five Years Mechanical components such as crank drives, spindles.

Ten Years Structural components such as beams, feet and top supports.

TECHNICAL SPECIFICATIONS

TYPE	STROKE LENGTH (IN)	HEIGHT MIN / MAX (IN)	TRAVEL SPEED (IN/sec)	MAX WEIGHT (LB)
Single Stage	18.9	25.75/44.5	1.5	35

STANDARD DIMENSIONS



NOTES

- Workstation width: 35.2"
- Workstation depth: 24"
- Tray dimensions: 13.25" x 29.25"
- Dual monitor maximum weight: 32 lb.
- 1.25" incremental adjustments (3.75" overall adjustment)
- Patent pending

