



PRODUCT SPECS

# ESSENTIAL TABLE BASE

**Features**

- Full table base (add your own work surface)
- Meets BIFMA X5.5 standards
- UL 962 approved
- Easy-order with one part number





## STANDARD SPECIFICATIONS

- Single stage height range 26"–45" (without top)
- Dual stage height range 21.75"–47.75" (without top)
- Fits both 24" and 30" tops
- Standard base widths 48"–72" (anti-sag bar recommended for widths over 60")
- Raise/lower speed of 1.375" per second
- Power consumption <0.3W
- Ships complete, just attach base to top
- Available in black, white or silver

## OPTIONS

### HANDSWITCH OPTIONS

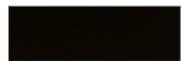


Basic Up-Down



Programmable

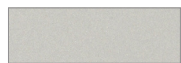
### POWDER COAT COLOR OPTIONS



Black



White



Silver

### FOOT OPTIONS



T Foot

### WARRANTY INFORMATION

**Three Years** Electronic components such as control boxes, handswitches, motors.

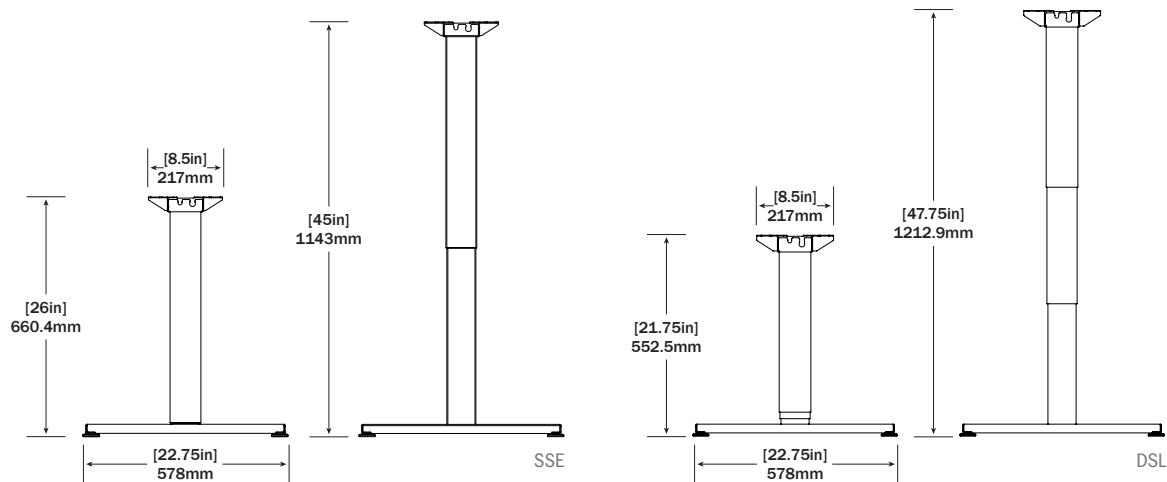
**Five Years** Mechanical components such as crank drives, spindles.

**Ten Years** Structural components such as beams, feet and top supports.

## TECHNICAL SPECIFICATIONS

TYPE	STROKE LENGTH (IN)	HEIGHT MIN / MAX (IN)	TRAVEL SPEED (IN/sec)	MAX RATED LOAD (LB)	NOISE LEVEL (DB)
Single Stage (SSE)	19	26 / 45	1.375	250	<50
Dual Stage (DSL)	26	21.75 / 47.75	1.375	250	<50

### STANDARD DIMENSIONS



### NOTES

- Base depth: 22.75 "
- Base width: 48" - 72"
- Base height: SSE: 26" - 45"  
DSL: 21.75" - 47.75"
- Column dimensions: SSE: 3.35" x 2.17"  
DSL: 3.54" x 2.36"
- Max load: Rated load (including table top): 250 lb.  
Functional load: 306 lb.
- Anti-sag bar available for widths over 60"

